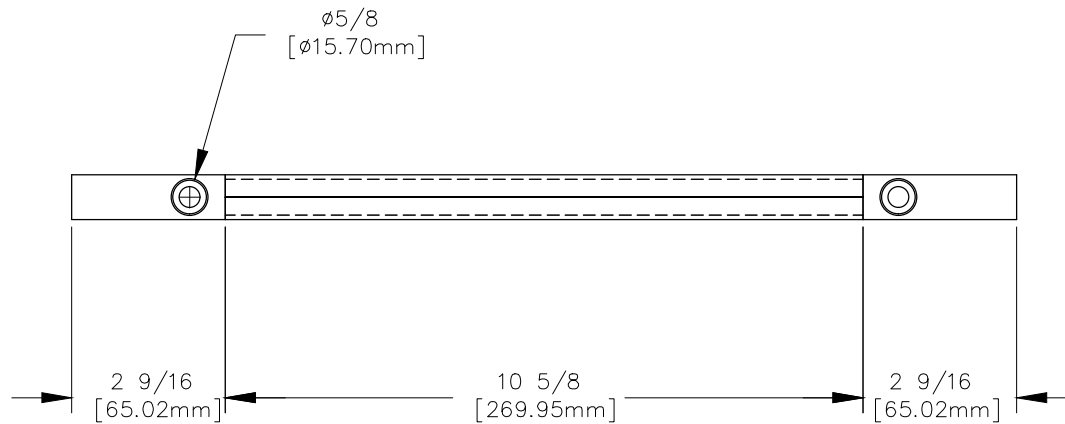
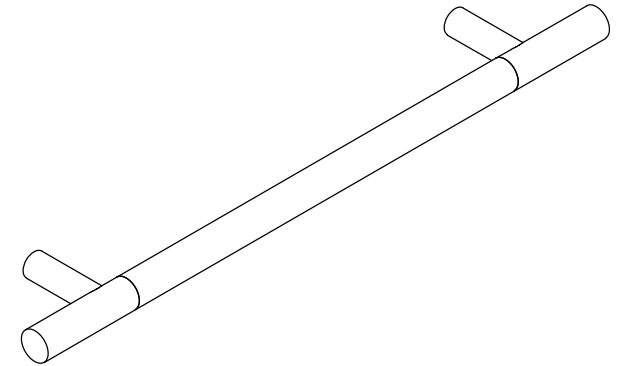
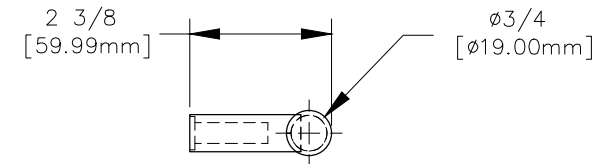


TOP VIEW



FRONT VIEW

MAX DOOR THICKNESS  
 $\phi 1 \frac{3}{16}$   
 [45.00mm]



RIGHT VIEW