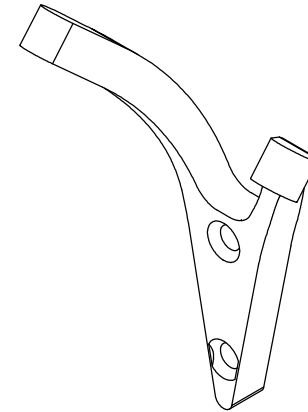
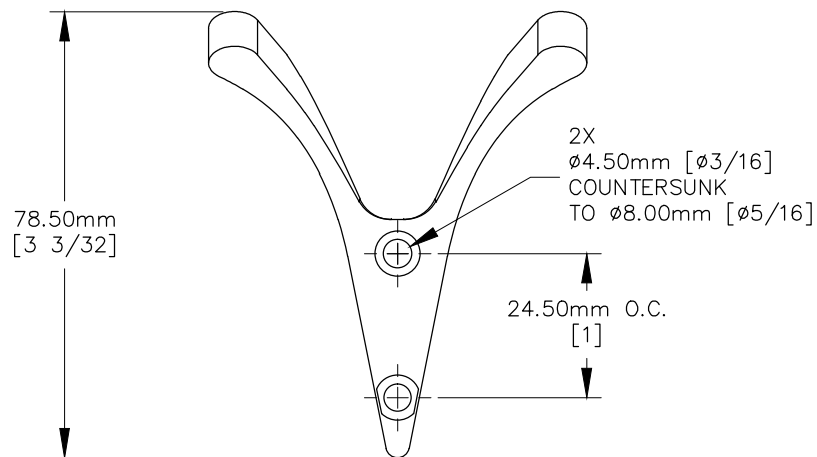


TOP VIEW

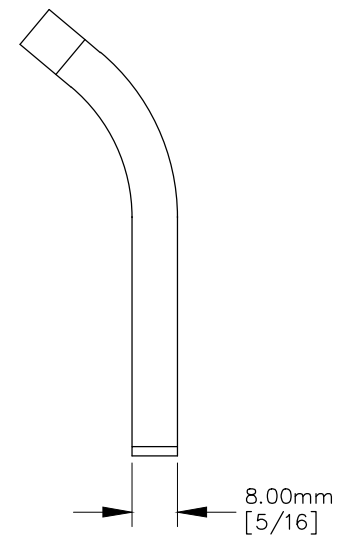


NOTE:

1. Weight capacity is 25 lbs.



FRONT VIEW



RIGHT VIEW