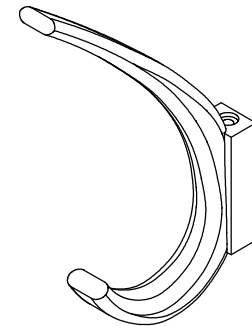
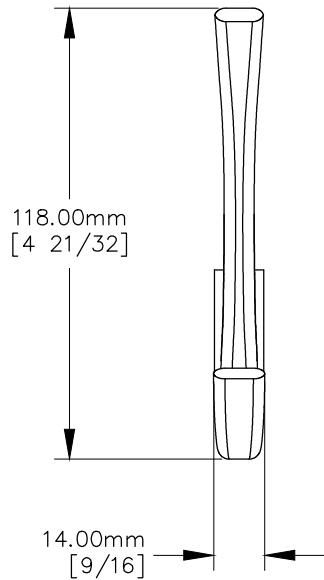


TOP VIEW

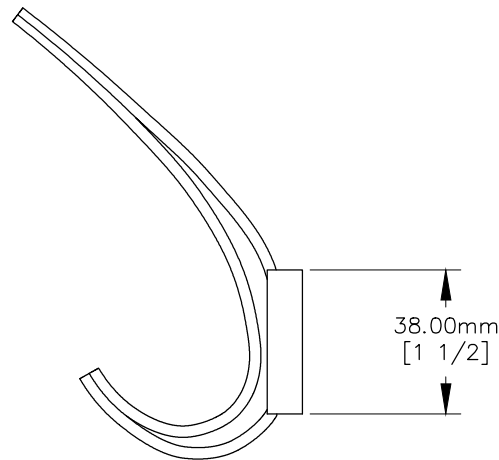


NOTE:

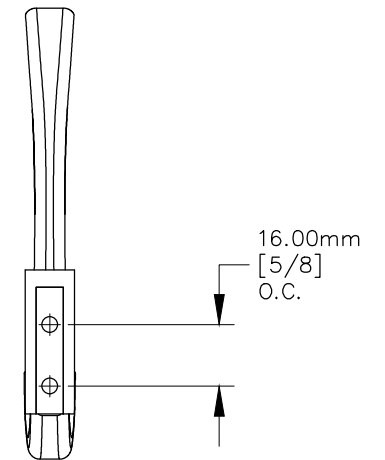
1. Weight capacity is 25 lbs.



FRONT VIEW



SIDE VIEW



REAR VIEW