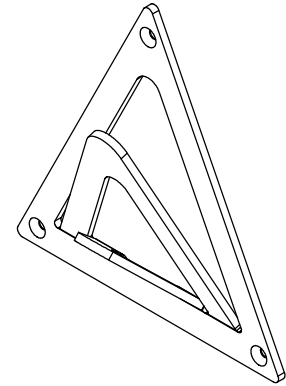
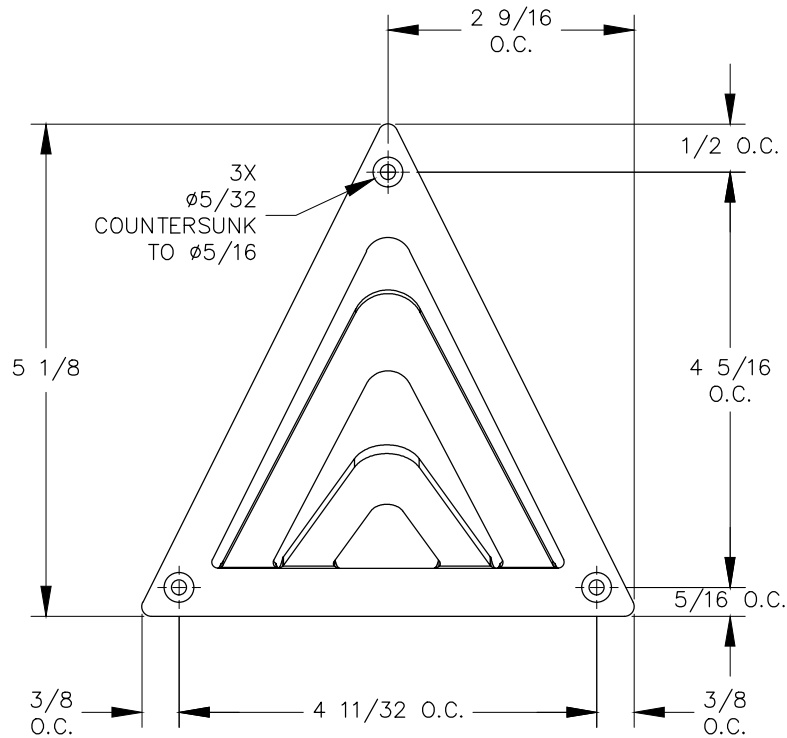


TOP VIEW

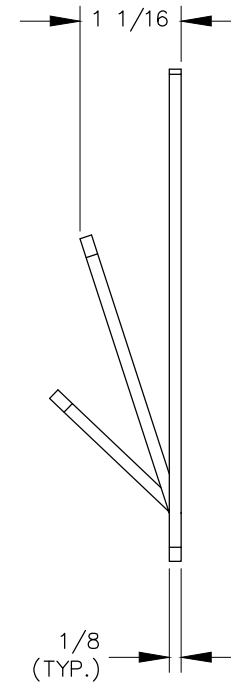


NOTE:

1. Weight capacity is 40 lbs. with drywall anchors.



FRONT VIEW



RIGHT VIEW