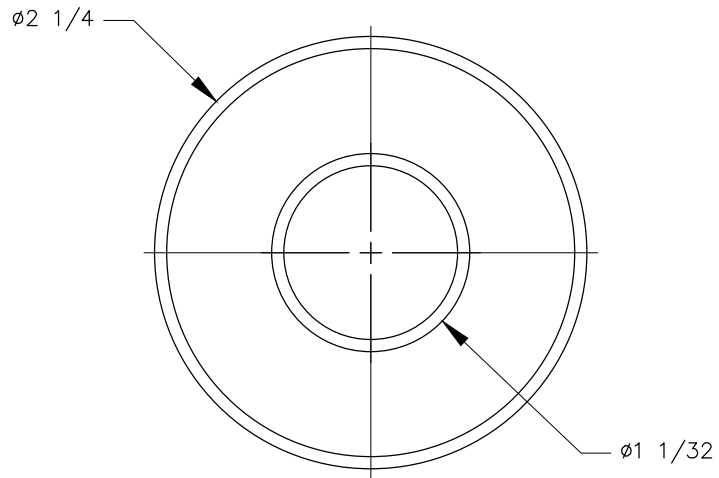
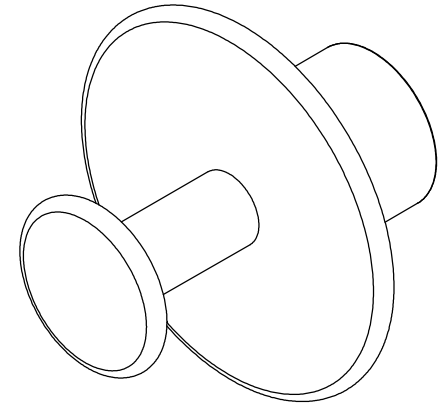


TOP VIEW



FRONT VIEW



NOTE:

1. Weight capacity is 30 lbs. MAX. with anchor installed in drywall.
2. Weight capacity is 40 lbs. MAX. installed into stud.