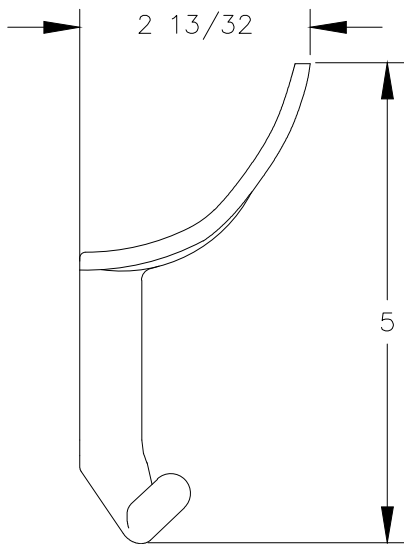
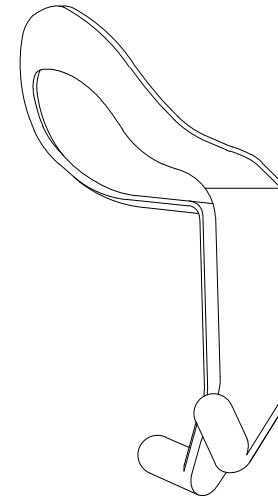
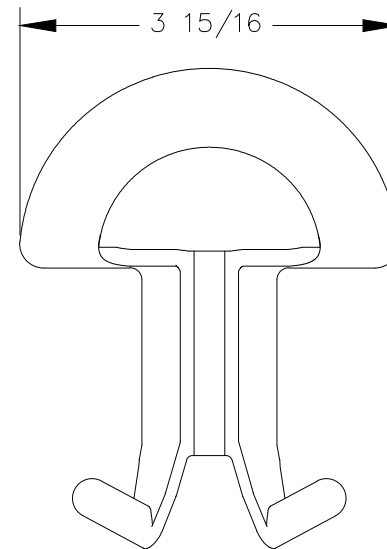


TOP VIEW

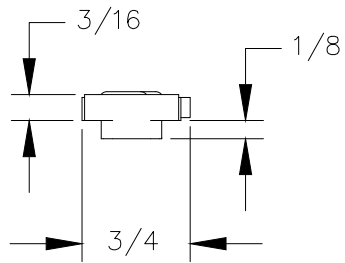


FRONT VIEW

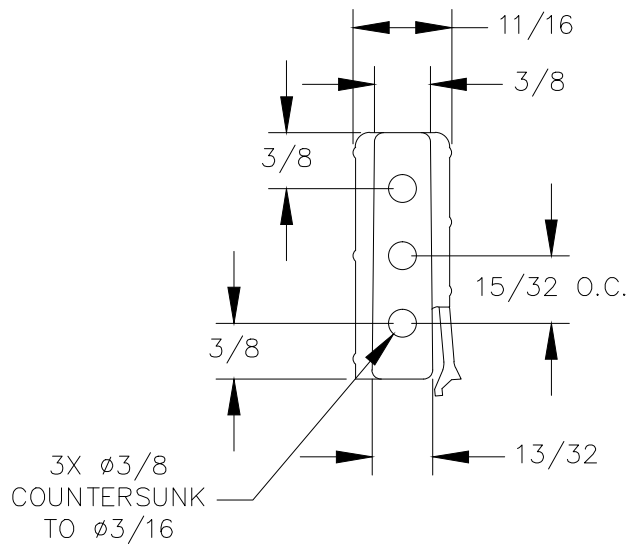
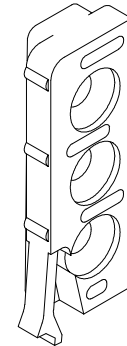


RIGHT VIEW

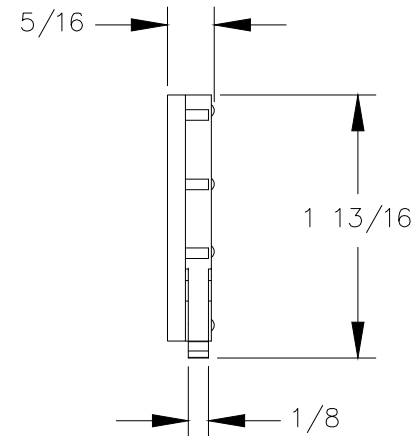
PART NAME: CH1		DRAWN BY: -	LAST EDITED: AN	REQUESTED BY: -	SHEET: 1 OF 1
SCALE: AS NOTED	TOLERANCE: -/+ 1/32" UNLESS SPECIFIED	DATE: -	DATE: 2018.03.22	APPROVED BY: -	



TOP VIEW



FRONT VIEW



RIGHT VIEW