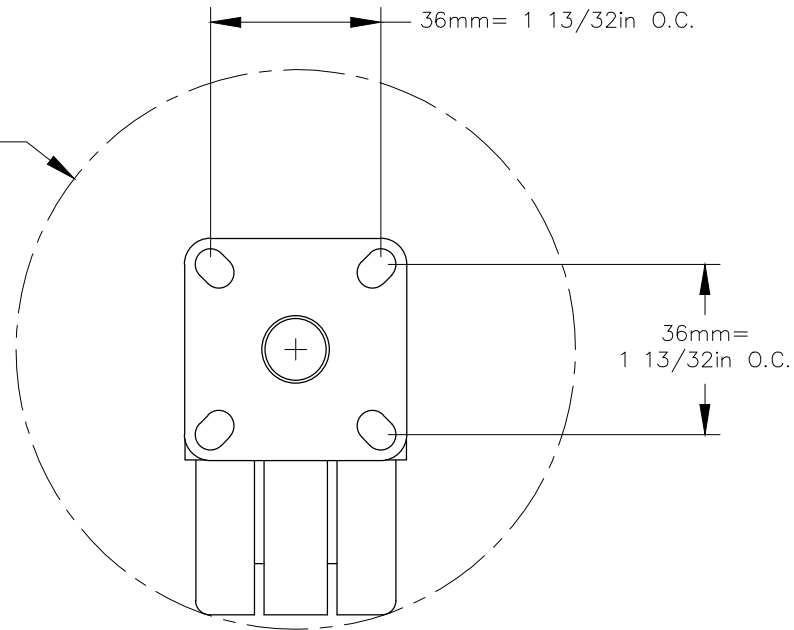
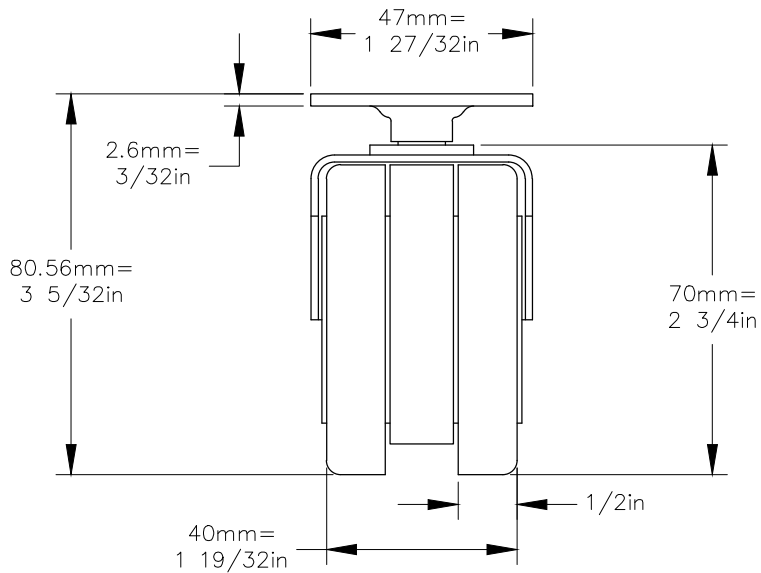
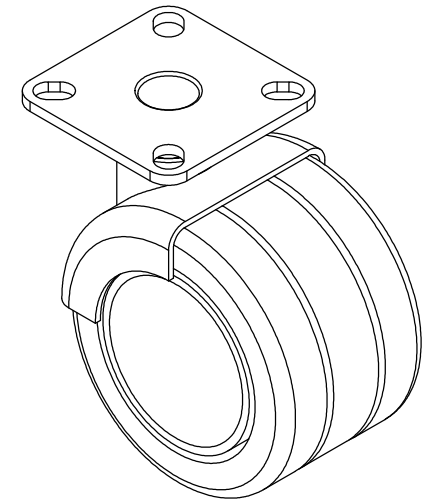


VENDOR= $\varnothing 66\text{mm}$

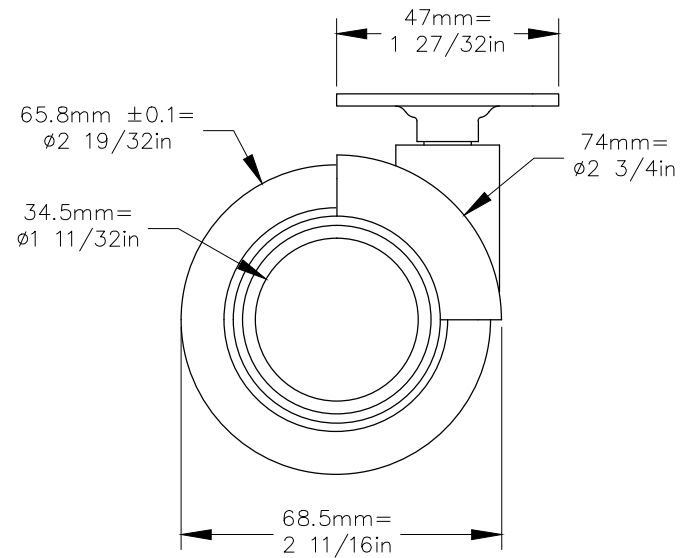
R2 $11/32\text{in}$
TURNING
RADIUS



TOP VIEW



FRONT VIEW



RIGHT VIEW