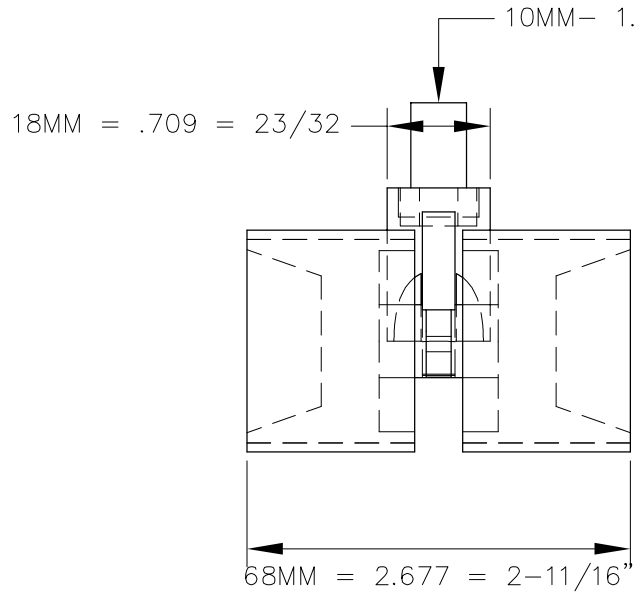
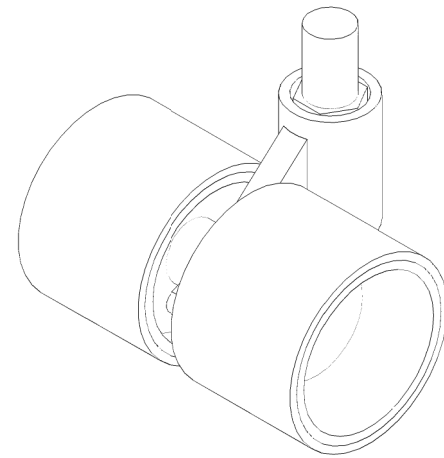


54.5MM =  
2.146 =  
2-1/8

R2 3/16  
TURNING RADIUS

TOP VIEW

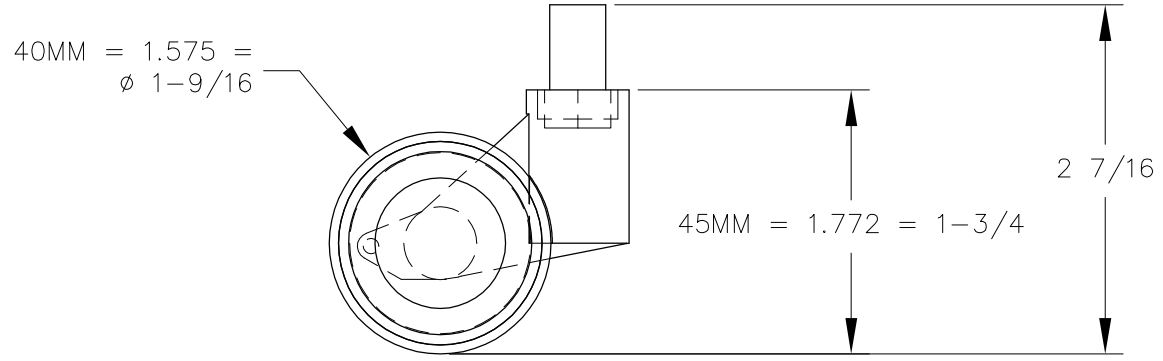


18MM = .709 = 23/32

10MM- 1.5 THREAD

68MM = 2.677 = 2-11/16"

FRONT VIEW



40MM = 1.575 =  
Ø 1-9/16

45MM = 1.772 = 1-3/4

2 7/16

RIGHT VIEW