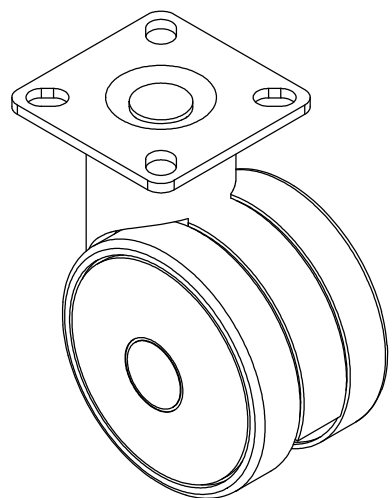
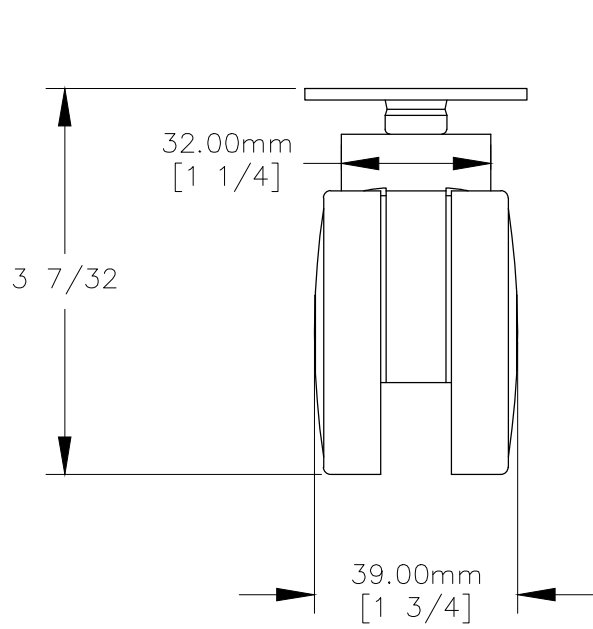


TOP VIEW

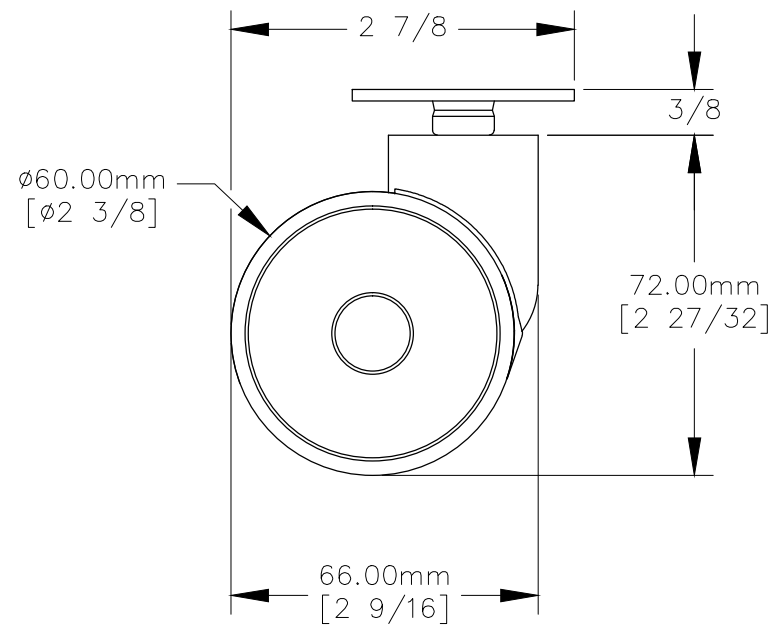


NOTES:

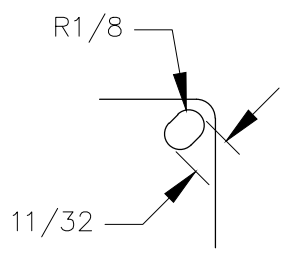
- 1. Weight Capacity is 100lbs.



FRONT VIEW



RIGHT VIEW



DETAIL A
NTS