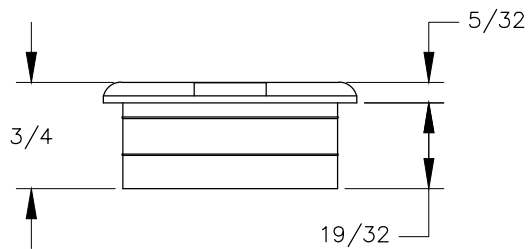
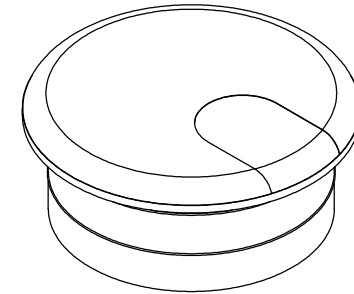
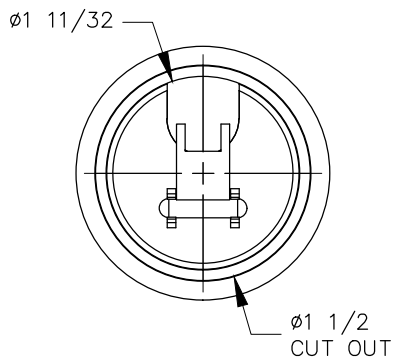


TOP VIEW



FRONT VIEW



BOTTOM VIEW

NOTE:

1. Maximum cord thickness is 1/2 DIA.