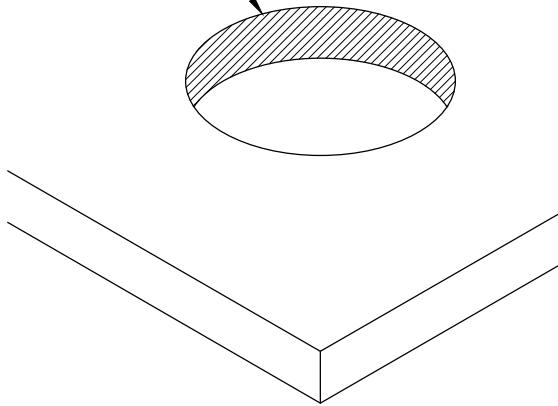


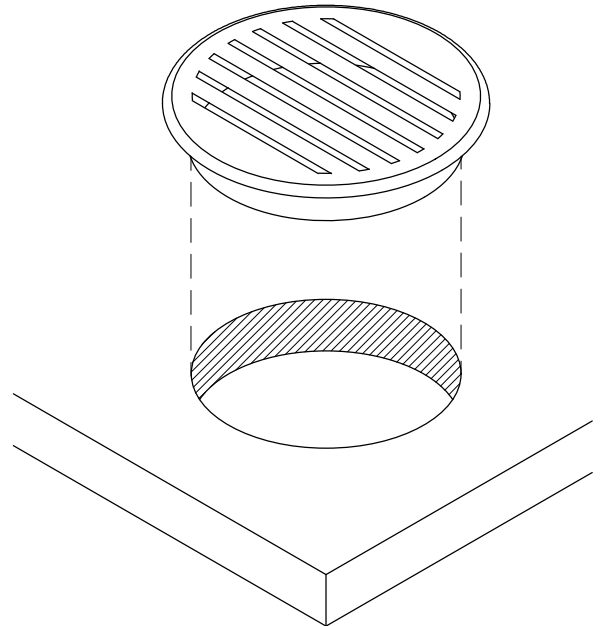
1

3-13/16" DIA.  
CUT OUT



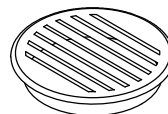
Make a cut out on the desired surface. (Note: We do not recommend cutting before receiving part or part sample.)

2



Install ZGAVG2 into the cut out and be sure it is fully leveled onto worksurface.

TABLE OF CONTENTS:



..... 1x ZGAVG2