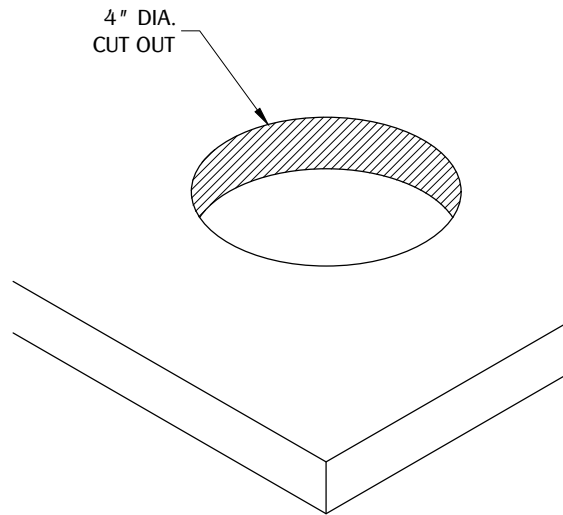
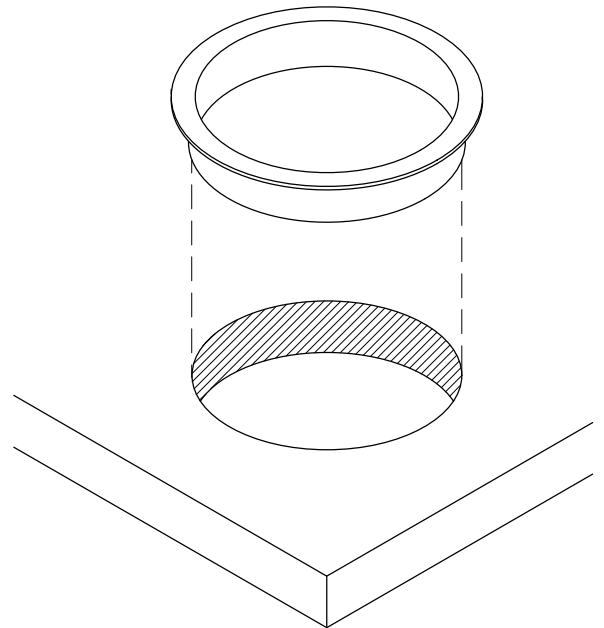


1



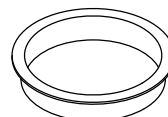
Make a cut out on the desired surface. (Note: All dimensions have a +/- 1/32" tolerance. We do not recommend cutting before receiving part or part sample.)

2



Install ZG1/TM4 into the cut out and be sure it is fully leveled onto worksurface.

TABLE OF CONTENTS:



..... 1x ZG1 / TM4