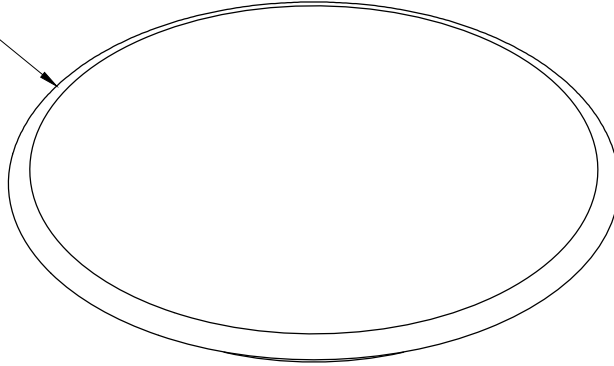
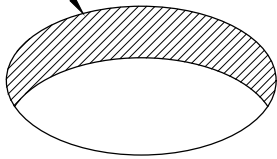


3-1/2" DIA.

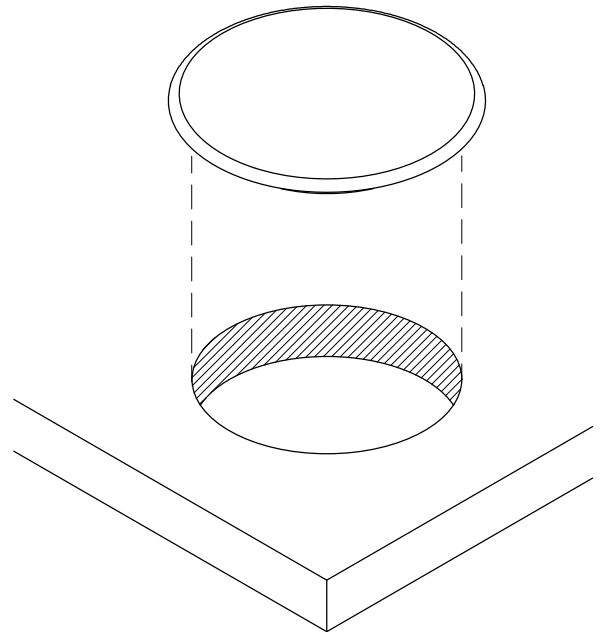


1

2-13/16" DIA.
CUT OUT



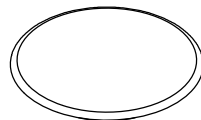
2



Make a cut out on the desired surface. (Note: We do not recommend cutting before receiving part or part sample.)

Install XGW2 into the cut out and be sure it is fully leveled onto worksurface.

TABLE OF CONTENTS:



..... 1x XGW2