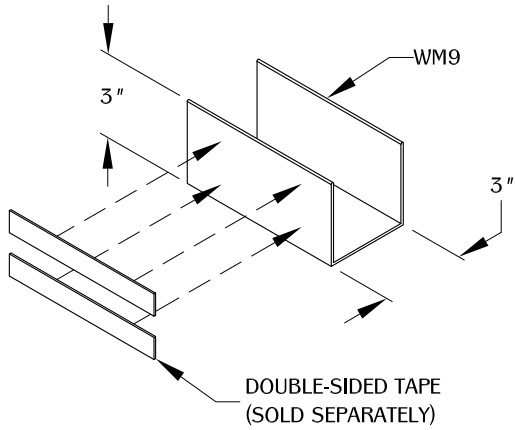
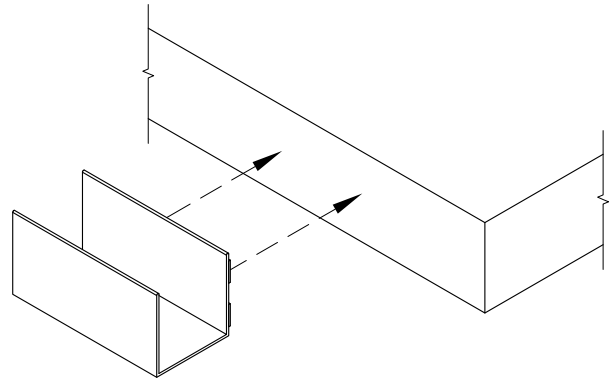


1



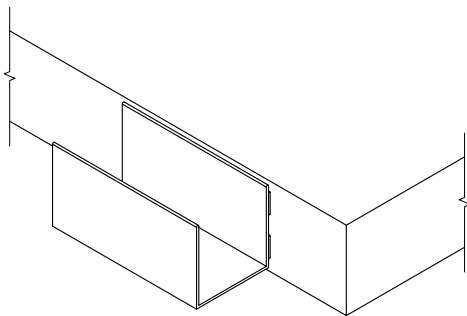
Apply adhesive or double-sided tape to the back of the WM9. If purchased with double-sided tape pre-installed, proceed to step 2.

2



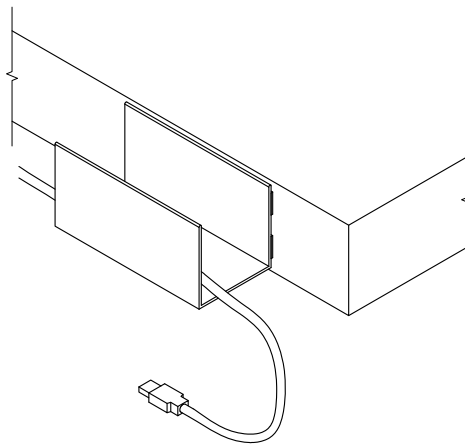
Determine the position and location on the side of the work surface in which to apply the WM9.

3



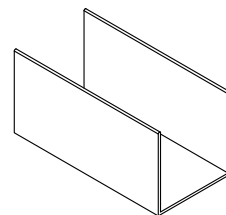
Apply pressure to the WM9 when placing against the work surface until it is held into position by the adhesive.

4



Place wires into position by dropping them into the opening on top of the WM9.

TABLE OF CONTENTS:



..... WM9