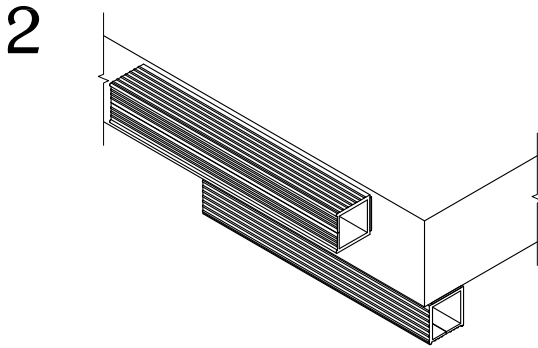
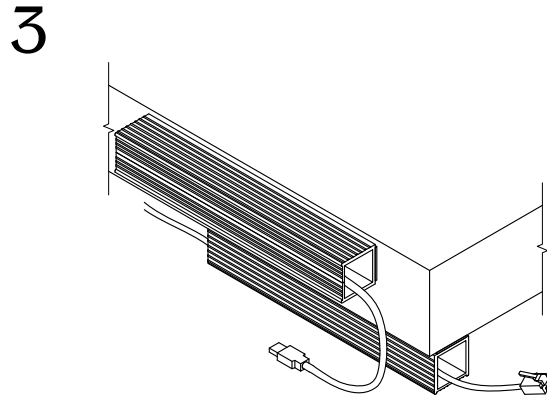


Determine the position and location on the work surface in which to apply the WM8A.



Apply pressure to the WM8A when placing against the work surface until it is held into position by the adhesive.



Place wires inside the WM8A by pushing them through the small slit located on the front side of the wire channel.

TABLE OF CONTENTS:

