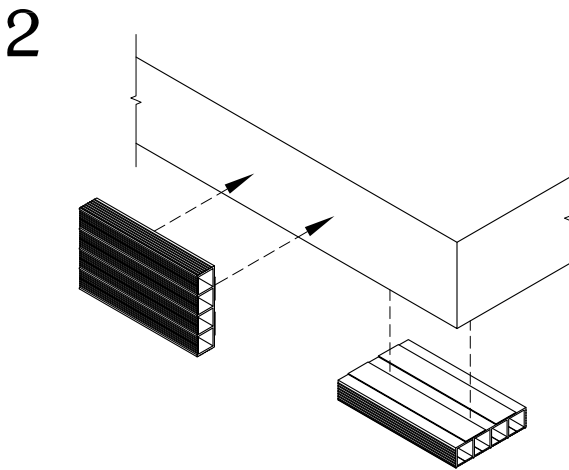
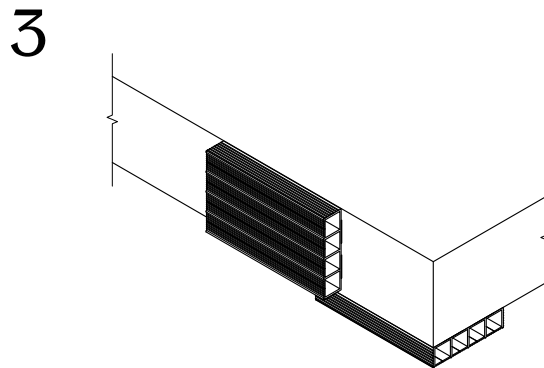


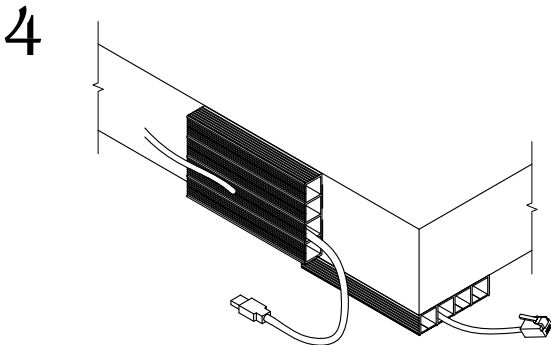
Apply adhesive or double-sided tape to the back side of the WM8 accordingly. If purchased with pre-installed double-sided tape, proceed to step 2.



Determine the position and location on the work surface in which to apply the WM8.



Apply pressure to the WM8 when placing against the work surface until it is held into position by the adhesive.



Place wires inside the WM8 by pushing them through the small slits located on the front side of each wire channel.

### TABLE OF CONTENTS:

