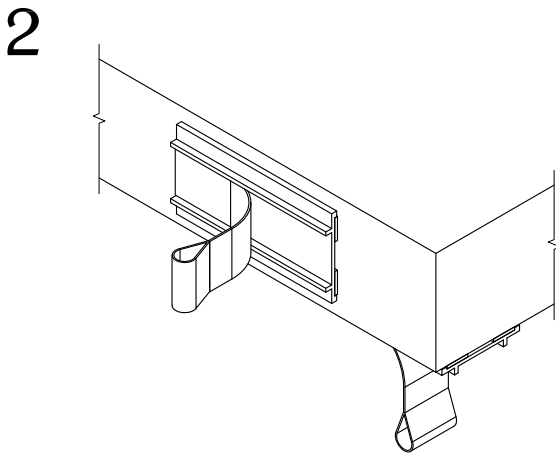
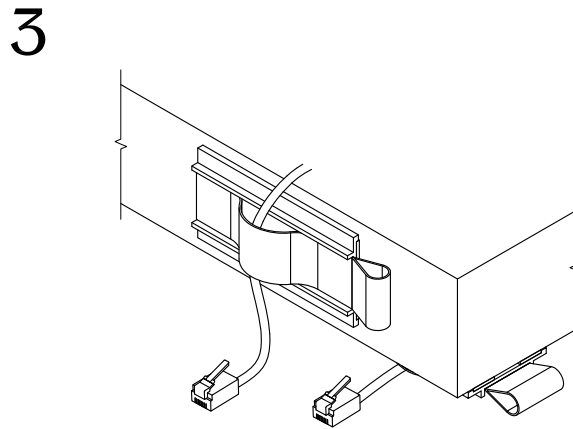


Determine the position and location on the work surface in which to apply the WM7-90NL. The WM7-90NL can be mounted underneath or on the side of the work surface.

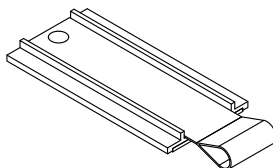


Apply pressure to the WM7-90NL until the adhesive holds the unit in position. Unstrap the Velcro fasteners so that wires may be placed in the WM7-90NL.



Place wires into position and strap up the Velcro fasteners, which should then hold the wires in place.

TABLE OF CONTENTS:

 WM7-90NL
--	----------------