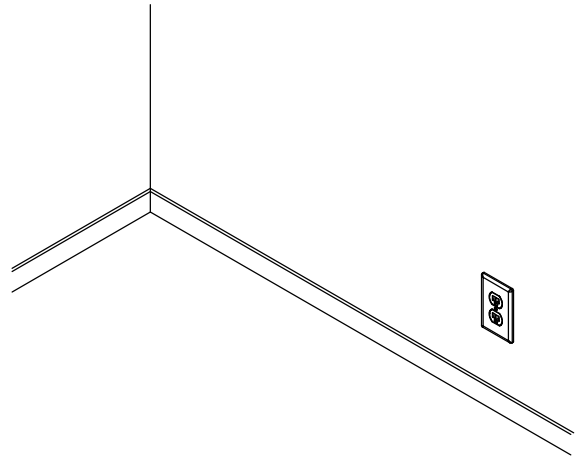
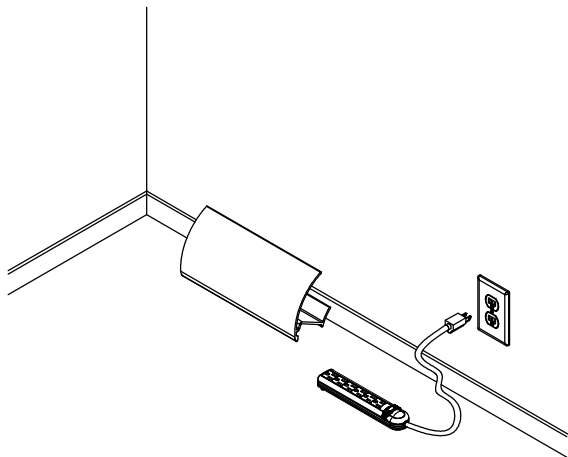


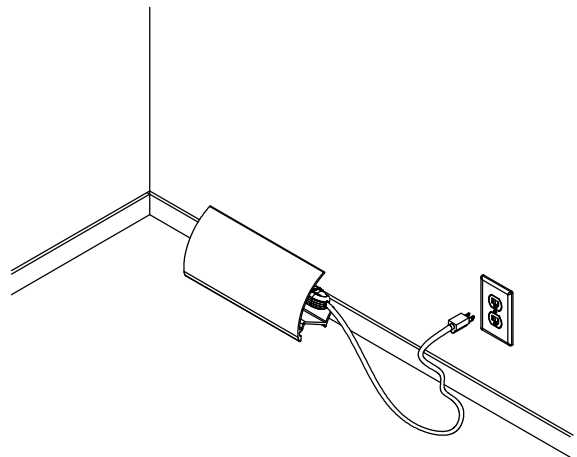
1



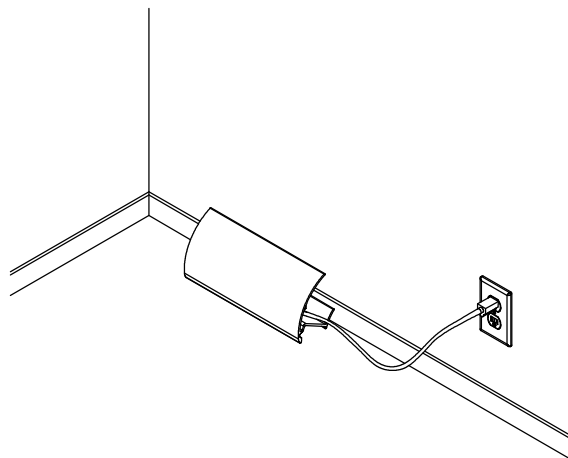
2



3



4



PLACE POWER STRIP ON TRAY TO CONCEAL IT