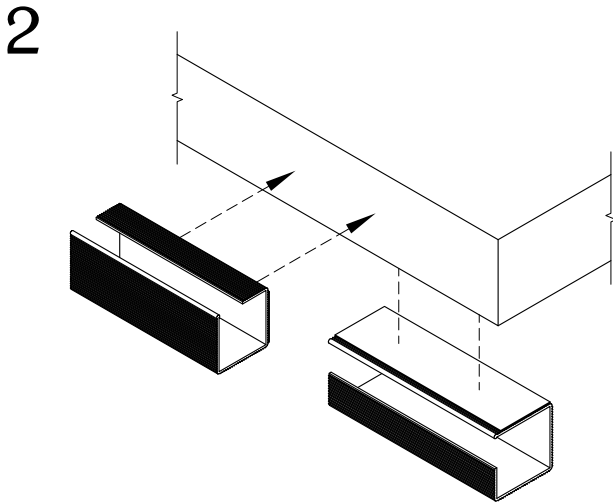
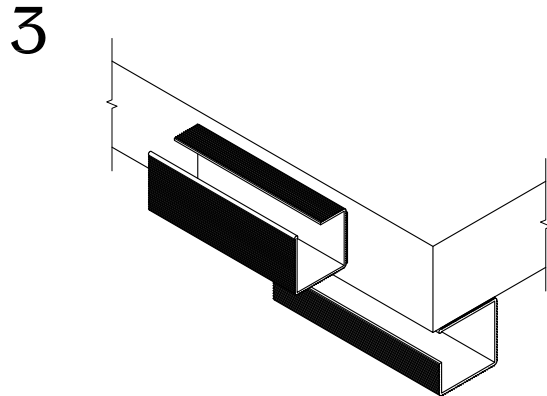


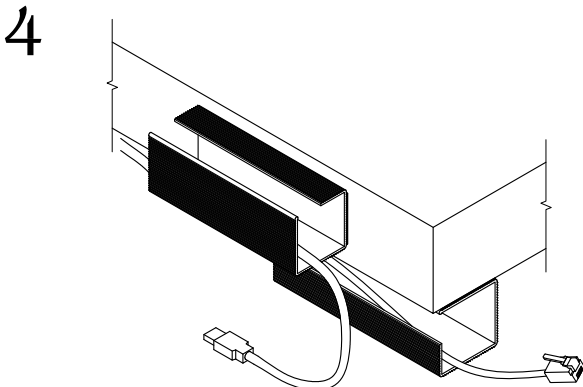
Determine whether the WM4 will be installed on the top or bottom of the work surface and apply adhesive or double-sided tape accordingly. If purchased with pre-installed double-sided tape, proceed to step 2.



Determine the position and location on the work surface in which to apply the WM4.

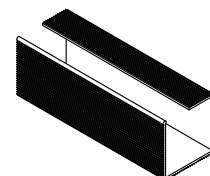


Apply pressure to the WM4 when placing against the work surface until it is held into position by the adhesive.



Place wires inside the WM4 by sliding them through the small opening.

TABLE OF CONTENTS:

 WM4
--	-----------