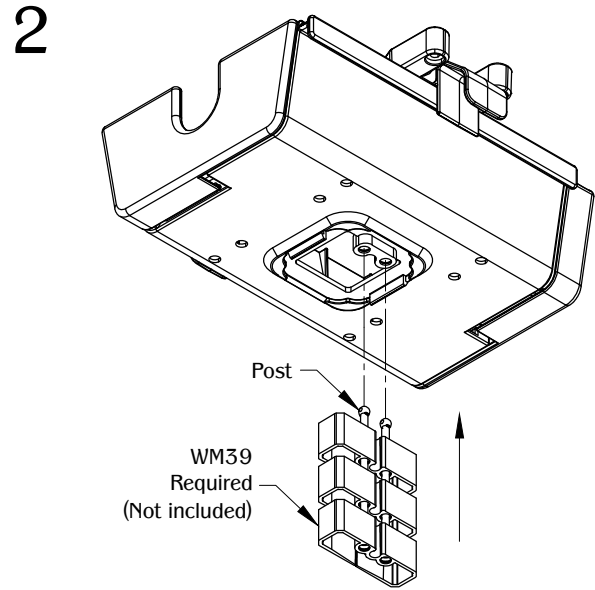
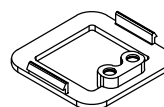


Determine orientation and push the WM39/40-CONNECT into the opening of the WM40 trough. (Note: See WM40 installation sheet for more information regarding WM40 installation.)



Snap WM39 male post into female opening of WM39/40-CONNECT. (Note: See WM39 installation sheet for more information regarding WM39 installation.)

TABLE OF CONTENTS:



.....1 X WM39/40-CONNECT