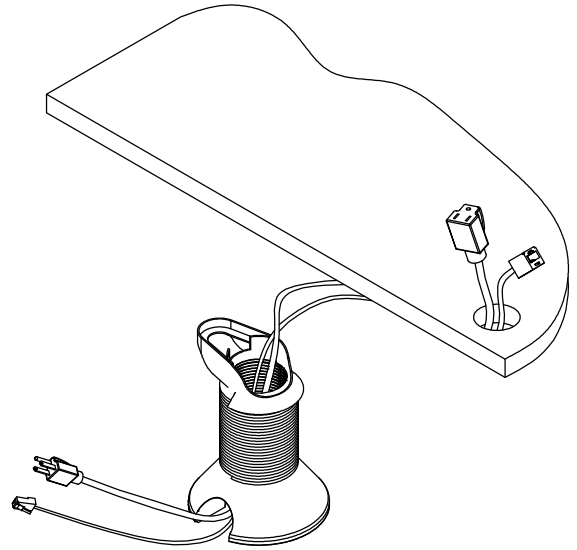
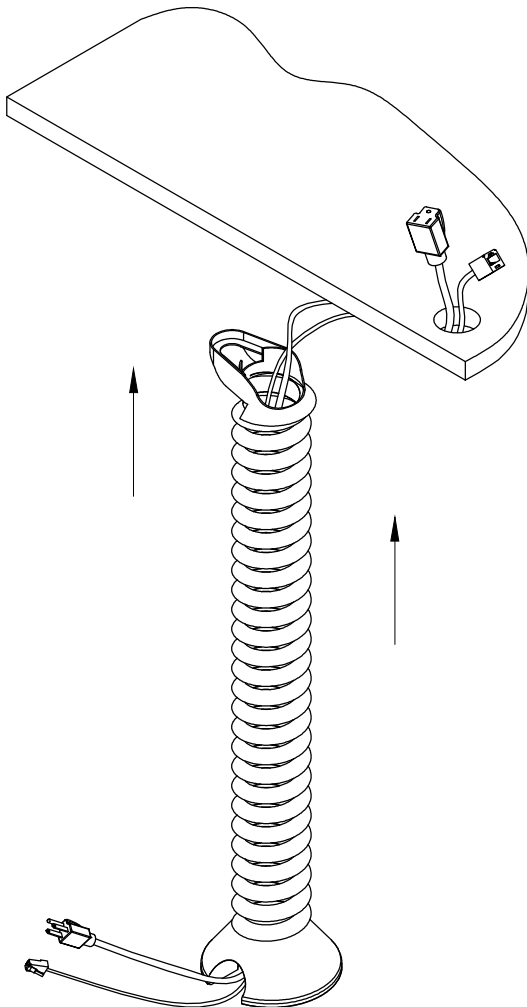


1

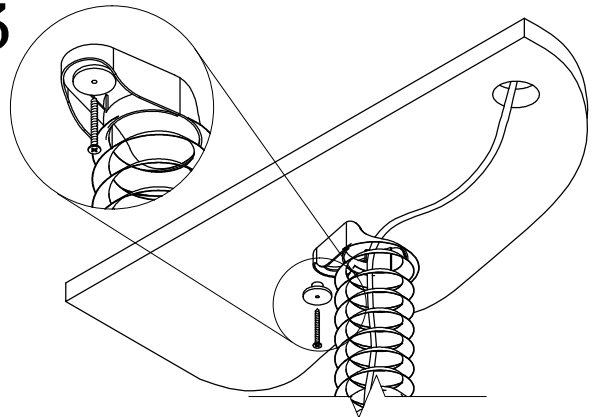


Determine the position and location of the WM34 under the work surface and insert wires through.

2



3



Connect the spine with washer and screw.

TABLE OF CONTENTS:



.....1 X WM34



.....1 X PLASTIC WASHER



.....1 X SCREWS