

Using a screw, drill into work surface accordingly to hold the WM31 in position.

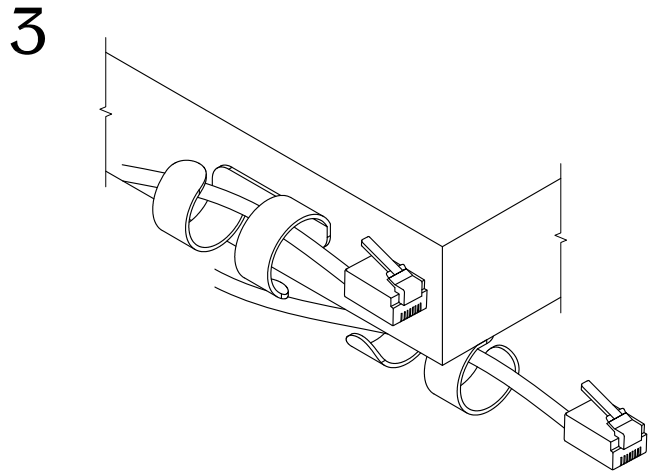
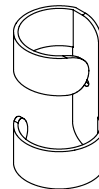


TABLE OF CONTENTS:



..... WM31