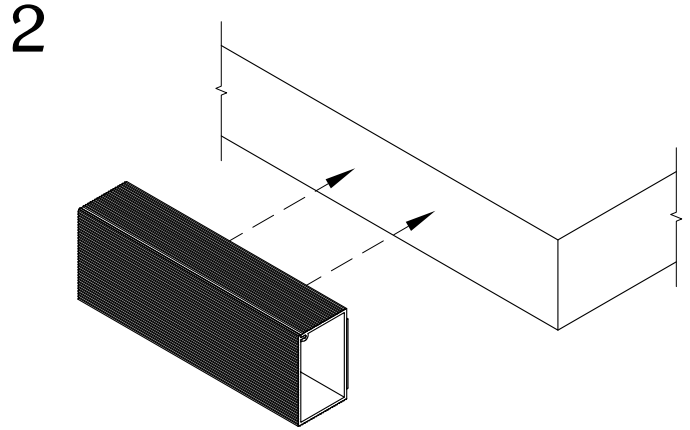
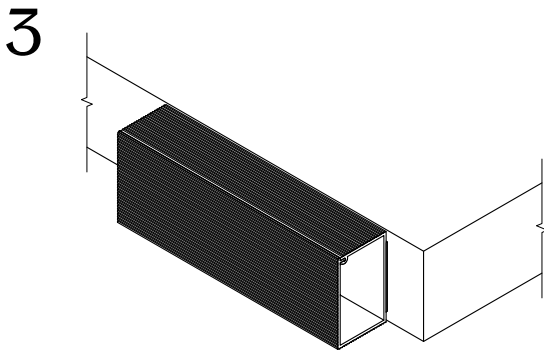


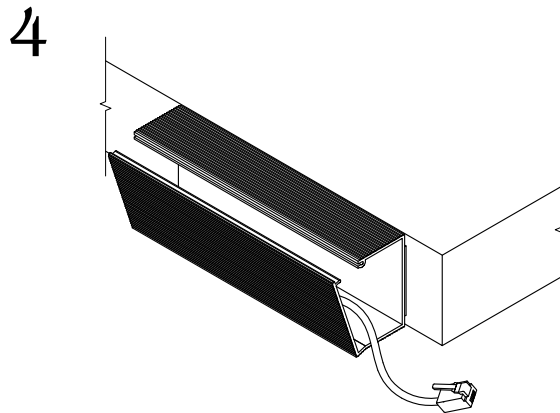
Apply adhesive or double-sided tape to the back of the WM3. If purchased with double-sided tape pre-installed, proceed to step 2.



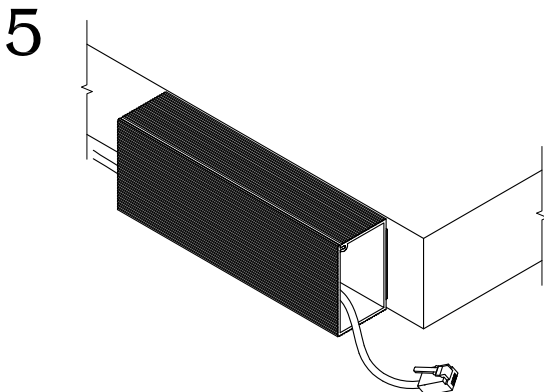
Determine the position and location on the work surface in which to apply the WM3.



Apply pressure to the WM3 when placing against the work surface until it is held into position by the adhesive.

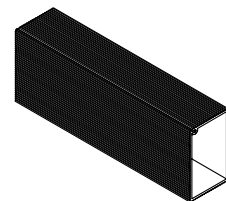


Pop open the WM3 so that wires may be placed inside using the opening on top of the unit.



After placing wires inside the WM3, snap the unit back into the closed position.

### TABLE OF CONTENTS:



..... WM3