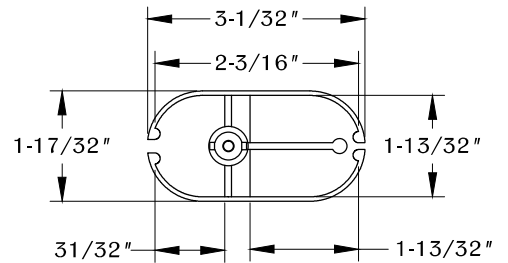
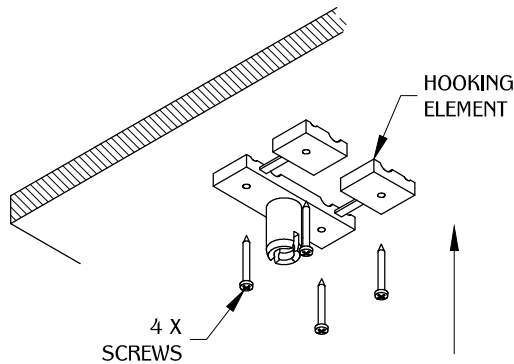


TOP VIEW: HOOKING ELEMENT



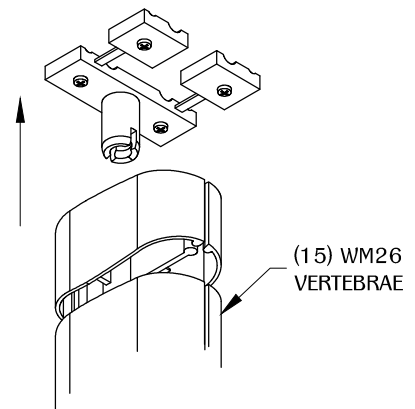
TOP VIEW: VERTEBRAE

1



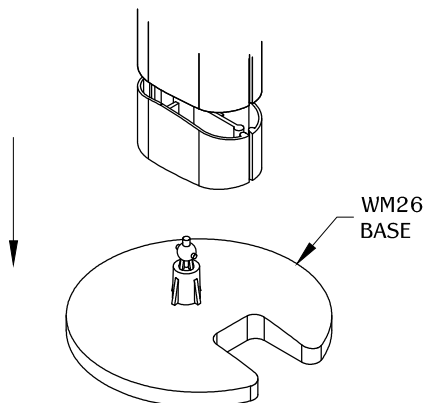
Determine the position and location of the hooking element under the work surface.  
Use (4) screws or (2) short screws to secure the part.

2








Connect (15) vertebrae to the hooking element.

3



Connect the base to the end of the vertebrae.

TABLE OF CONTENTS:

	.....1 X WM26 HOOKING ELEMENT
	.....15 X WM26 VERTEBRAE
	.....1 X WM26 BASE
	.....2 X SHORT SCREW
	.....4 X SCREW