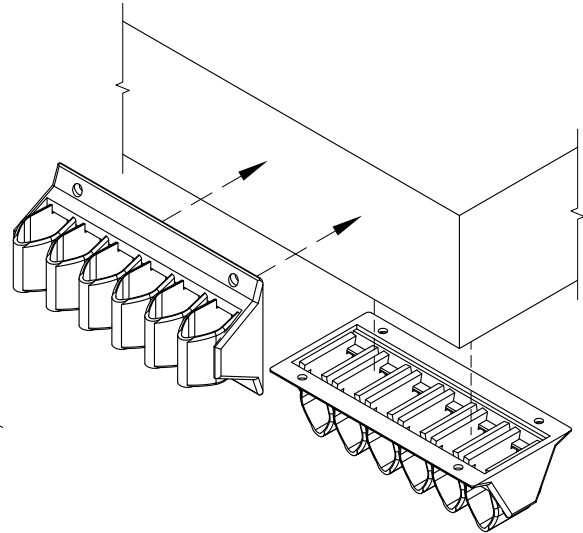


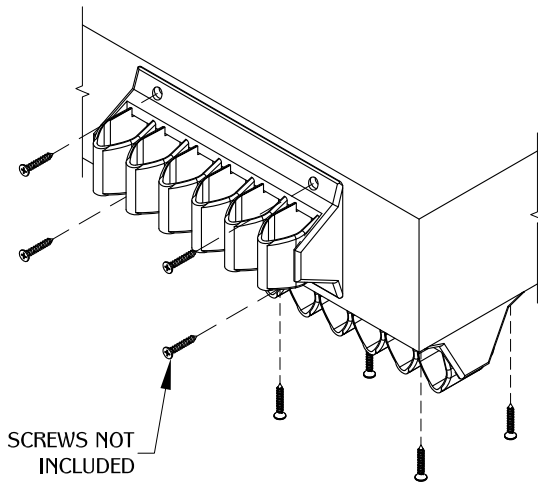
NOTE: Please wait until you have the part in hand before installing and/or drilling any holes. Make sure O.C. measurement matches.

1



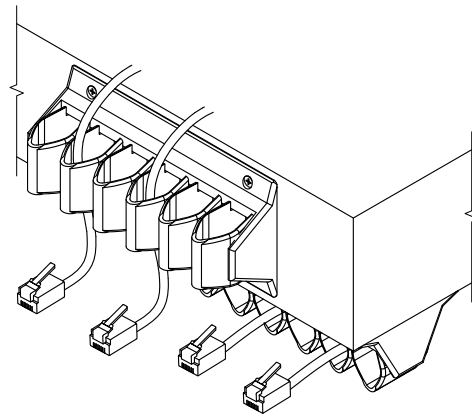
Determine the position and location on the work surface in which to apply the WM23B. The WM23B can be mounted underneath or on the side of the work surface.

2



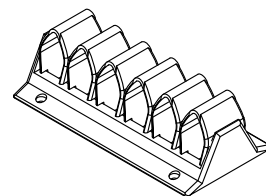
Using 4 screws, drill into work surface accordingly to hold the WM23B in position.

3



Place wires into position by slipping them through the open loops of the WM23B.

### TABLE OF CONTENTS:



..... WM23B