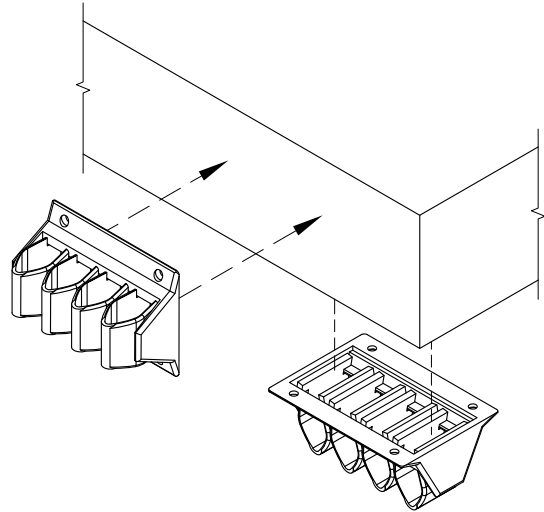


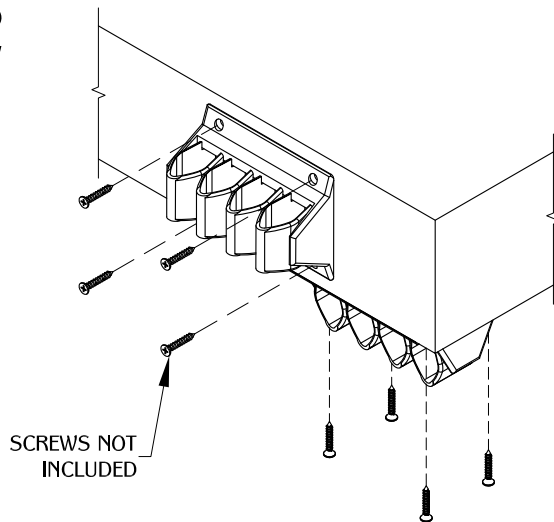
1



NOTE: Please wait until you have the part in hand before installing and/or drilling any holes. Make sure O.C. measurement matches.

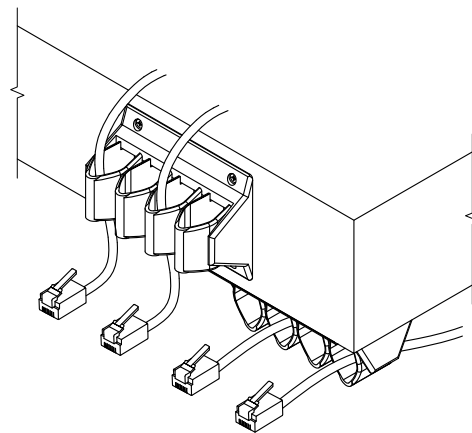
Determine the position and location on the work surface in which to apply the WM23A. The WM23A can be mounted underneath or on the side of the work surface.

2



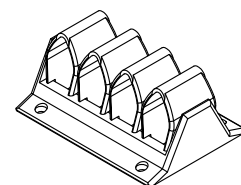
Using 4 screws, drill into work surface accordingly to hold the WM23A in position.

3



Place wires into position by slipping them through the open loops of the WM23A.

TABLE OF CONTENTS:



..... WM23A