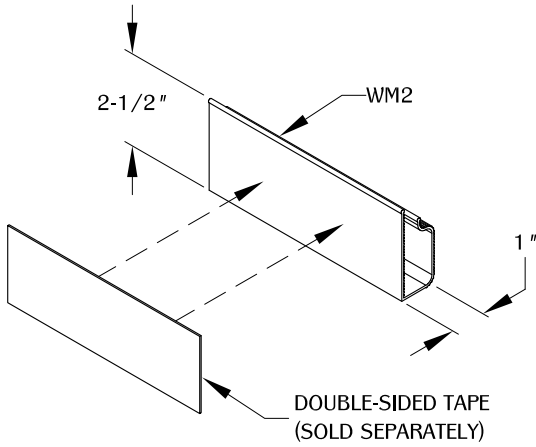
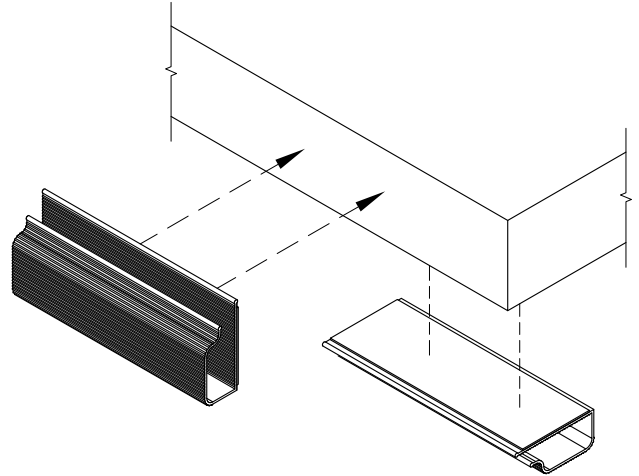


1



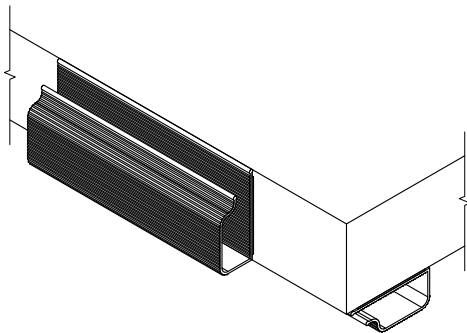
Apply adhesive or double-sided tape to the back of the WM2. If purchased with double-sided tape pre-installed, proceed to step 2.

2



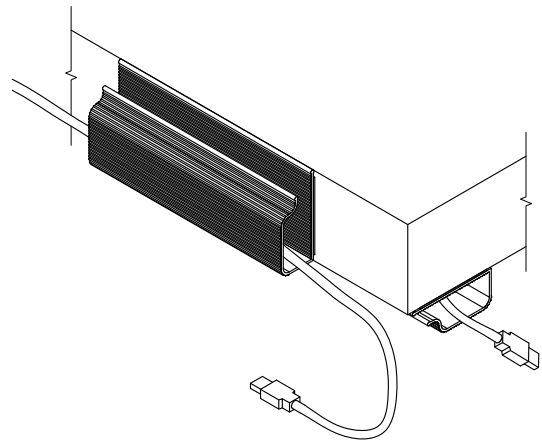
Determine the position and location on the work surface in which to apply the WM2. The WM2 can be mounted underneath or on the side of the work surface.

3



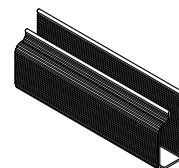
Apply pressure to the WM2 when placing against the work surface until it is held into position by the adhesive.

4



Place wires into position by slipping them through the small opening on top of the WM2.

TABLE OF CONTENTS:



..... WM2