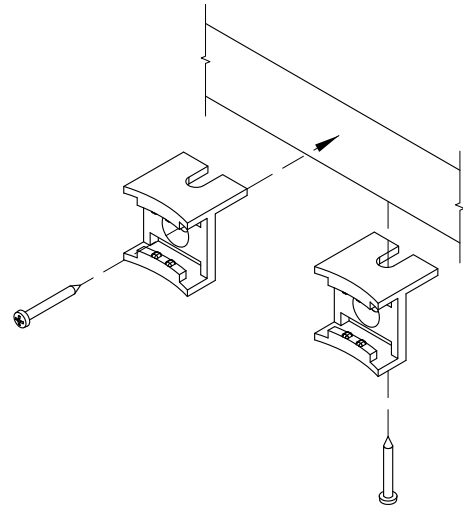
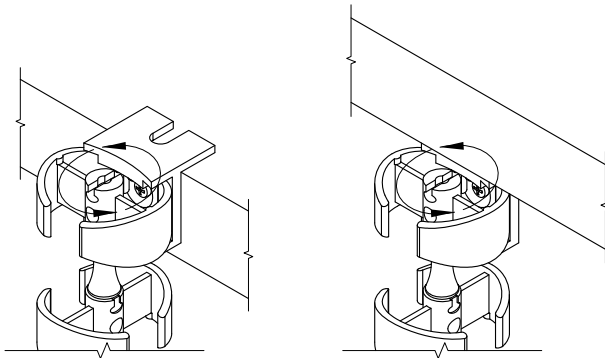


1



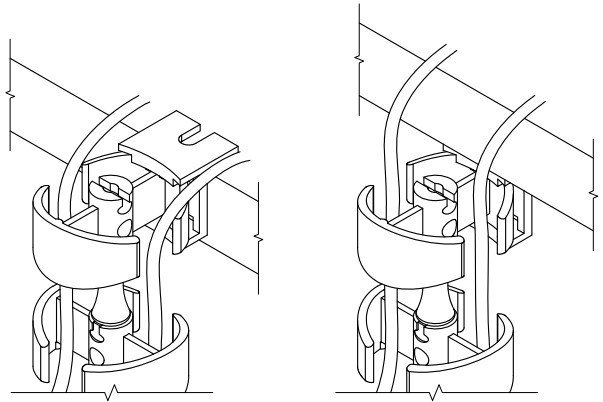
Determine the position and location in which to apply the mount. Once the mount is placed into position, drill in the screw to secure it. The WM14 can be mounted on the side or underneath the work surface.

2



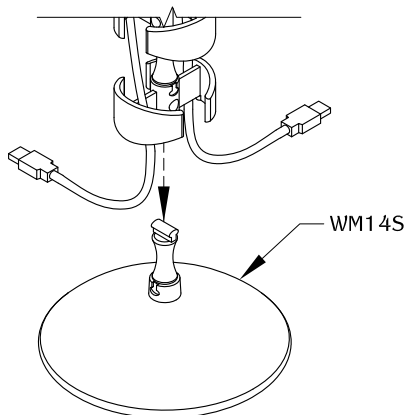
Align the pre-assembled vertebrae with the mount as displayed and rotate until the vertebrae locks into place.

3



Place wires inside the WM14 by weaving them downward through the vertebrae.

4



Optional: If you have purchased the round base weight, align the vertebrae with the base and snap together accordingly.

TABLE OF CONTENTS:

	28 X VERTEBRAE
	27 X Stems
	1 X MOUNT
	2 X SCREWS
	WM14S (SOLD SEPARATELY)