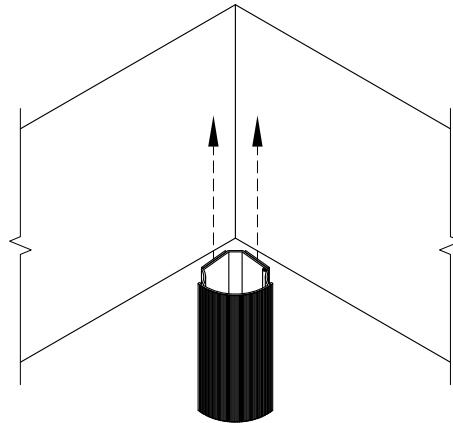
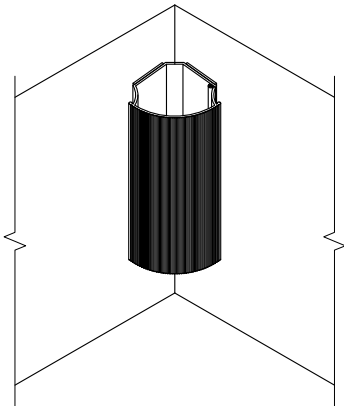


1



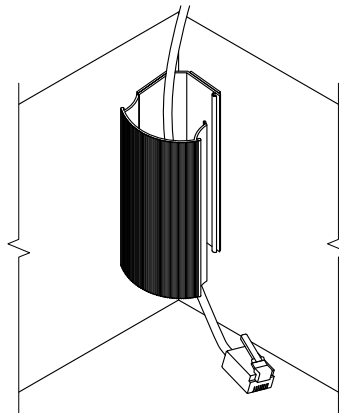
Determine the position and location in a corner in which to apply the WM13,

2



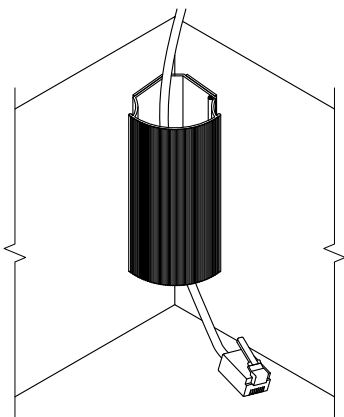
Apply pressure to the front of the WM13 until it is securely held in place by the adhesive

3



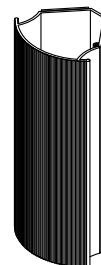
Open the WM13 by unsnapping the side of the unit. Once the WM13 is opened, place wires inside accordingly.

4



After placing wires inside the WM13, close the unit by snapping the side back into place.

TABLE OF CONTENTS:



..... WM13