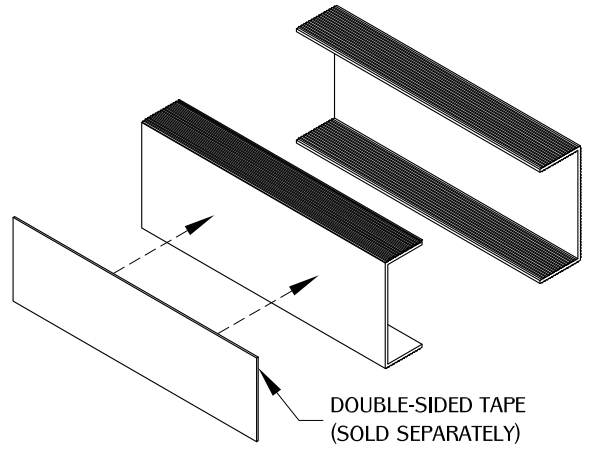
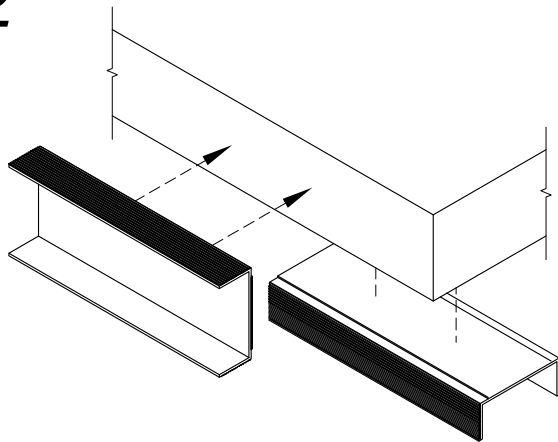


1



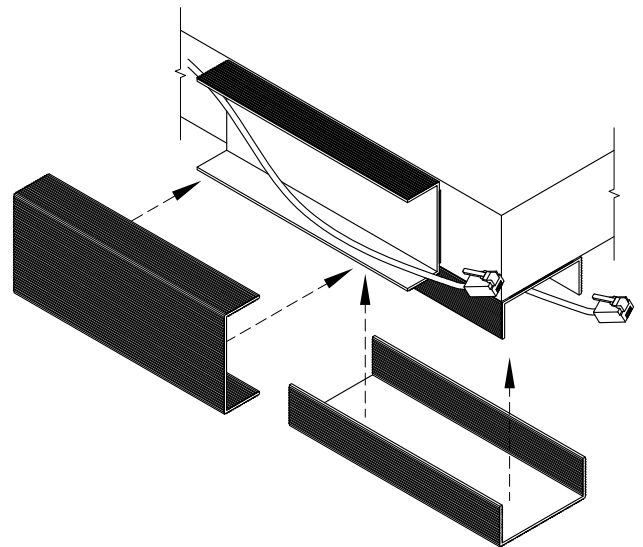
Detach front portion of the WM1 from the back. Apply adhesive or double-sided tape to the back side of the WM1 accordingly. If purchased with pre-installed double-sided tape, proceed to step 2.

2



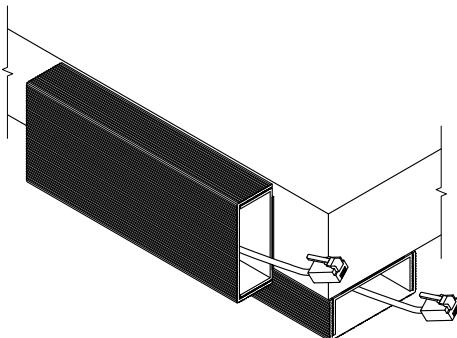
Determine the position and location on the work surface in which to apply the WM1. Apply pressure to the WM1 when placing against the work surface until it is held into position.

3



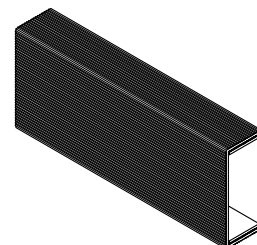
Place wires into position inside the open channel of the WM1 as displayed. Align the front portion of the WM1 with the back and attach accordingly.

4



Make sure that both front and back portions of the WM1 are securely in place by applying pressure to the front.

TABLE OF CONTENTS:



..... WM1