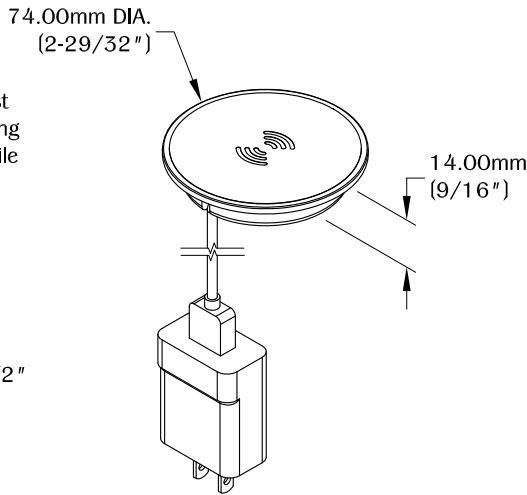
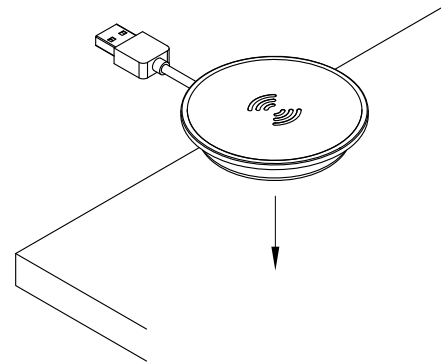


NOTE:

- 3 ft. cord.
- Mobile device must be wireless charging ready. Check mobile manufacturer for compatibility.
- Table thickness is 3/4" Min.
- Wireless output is 5W to 10W Max.
- Power adapter is 1-27/32" X 1-1/2" X 29/32".

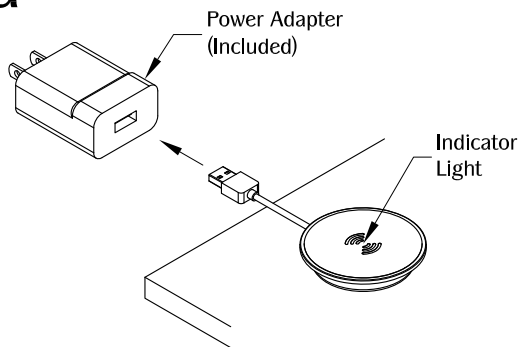


1a Table Top



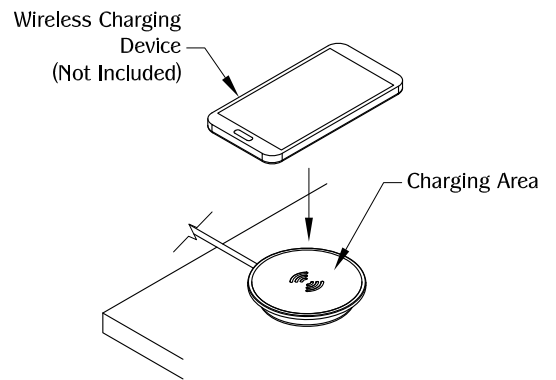
Place the unit on the desired location of the work surface. Make sure the unit is fully leveled on the work surface.

2a



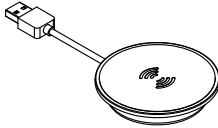
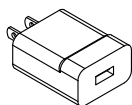
Plug cord into power outlet using the power adapter. The indicator light will turn on and the unit is now ready for use.

3a



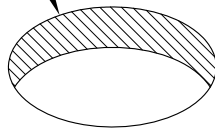
Position the mobile device on the center of the charging area. The charging icon will activate on the device's screen when properly aligned at the center of the charging area.

TABLE OF CONTENTS:

 1X WCS6
 1X Power Adapter

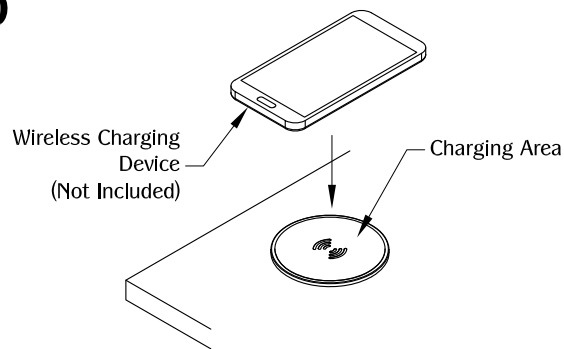
1b Surface Mount

62.00mm DIA.
(2-7/16")
CUT OUT



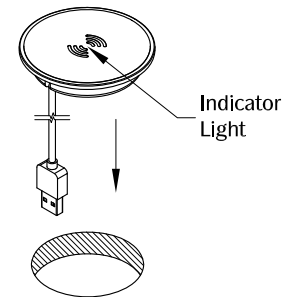
Determine the position and location of the wireless charger on the work surface. Cut the hole at 62.00mm DIA (2-7/16"). (Note: We do not recommend cutting before receiving product.)

3b



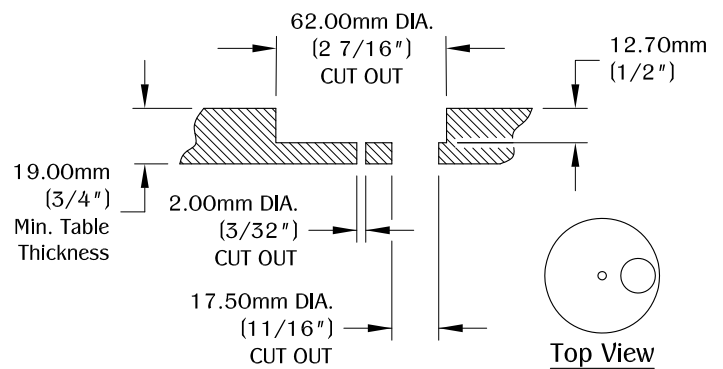
Position the mobile device on the center of the charging area. The charging icon will activate on the device's screen when properly aligned at the center of the charging area.

2b



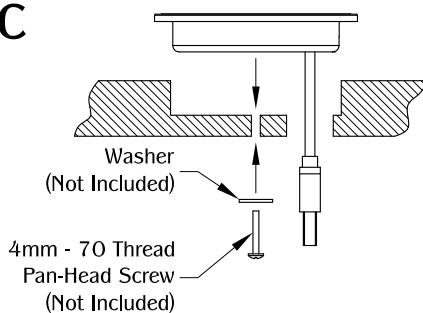
Place unit into the cut out. Plug into power outlet using the power adapter. The indicator light will turn on and the unit is now ready for use.

1c Secured Surface Mount



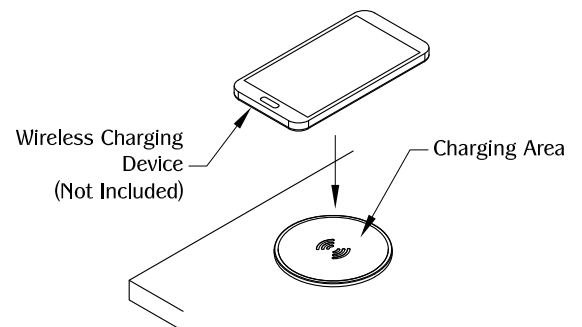
Determine the position and location of the wireless charger on the work surface. Cut the hole at 62.00mm DIA. (2-7/16") with a 12.70mm (1/2") depth. Make a 2.00mm DIA. (3/32") hole in the center. Make a 17.50mm DIA. (11/16") hole for USB pass through hole.

2c



Place unit into the cut out. Use a washer and pan-head screw to secure the unit. Plug into power outlet using the power adapter. The indicator light will turn on and the unit is now ready for use.

3c



Position the mobile device on the center of the charging area. The charging icon will activate on the device's screen when properly aligned at the center of the charging area.