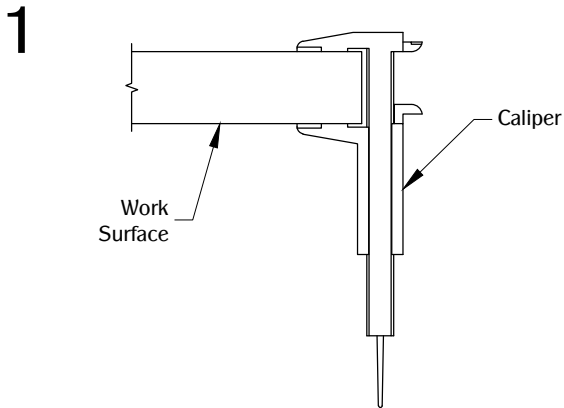


GENERAL INFORMATION

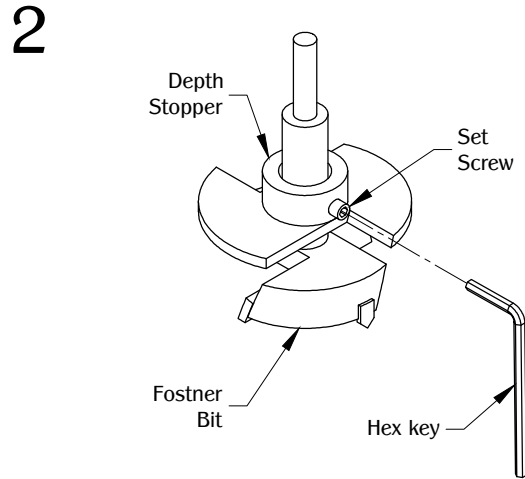
1. Your phone may already be wireless charging ready so please check to see that your phone is Qi equipped or will accept a Qi compatible case or receiver, and you'll be ready to charge wirelessly!
2. USB cable and AC adapter included. AC adapter specifications 5.0 Volts at 2 Amps output.
3. Wireless output 5W.



*Table thickness: 3/4" Min. to 1-5/8" Max.

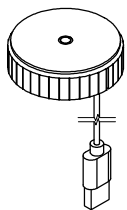
Measure the table thickness of the work surface with the caliper. (e.g. 25mm or 1")

*When using supplied drill bit.



Loosen set screw on depth stopper with hex key.

TABLE OF CONTENTS:



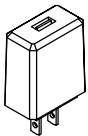
.....1 X WCS4



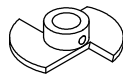
.....1 X Drill Bit



.....1 X Hex Key



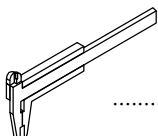
.....1 X AC Adapter



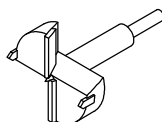
.....1 X Depth Stop



.....1 X Set screw



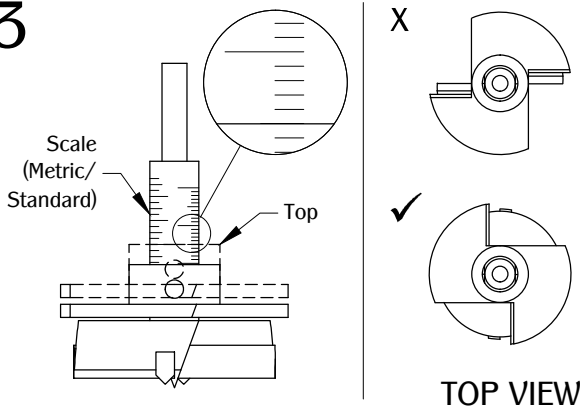
.....1 X Plastic caliper



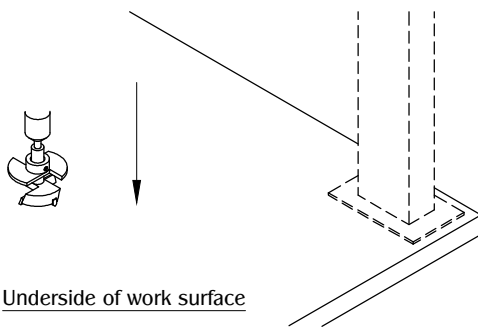
.....1 X Fostner Bit



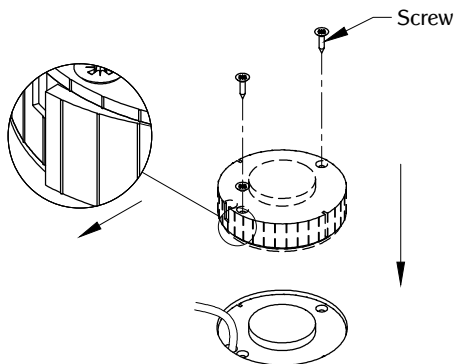
.....2 X Screws

3

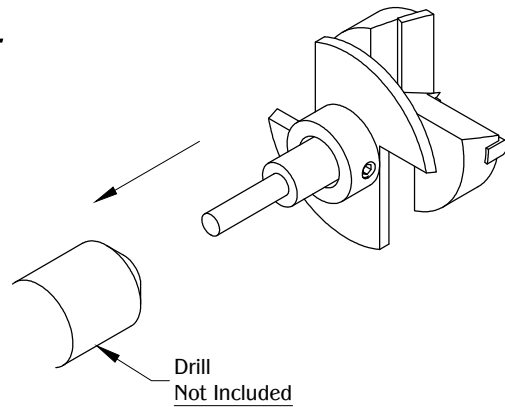
Adjust depth stopper to match table thickness obtained from step 1. Make sure depth stopper aligns with forstner bit as shown. Tighten set screw.

5

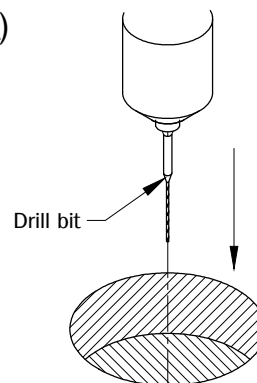
Confirm the desired location of the unit on the underside of the work surface. Slowly drill straight into the work surface until the blades engage the wood. Stop when the depth stopper reaches the surface or leave 5mm MAX. material.

7

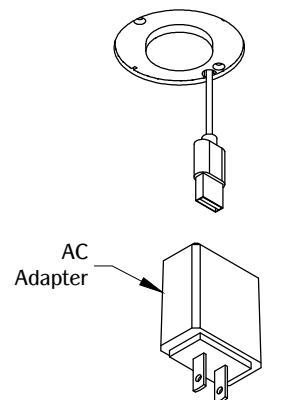
Insert wireless charger into opening as shown. Use (2) screws to tighten unit into the cut out.

4

Connect and secure the assembled forstner bit to a power drill. (NOTE: If cutting into material other than MDF, please use the appropriate forstner bit for the material.)

6 (OPTIONAL)

Use drill bit (included) to make a small hole for the LED light at the center of the recently drilled hole. (Note: DO NOT apply excessive force. The drill bit is fragile.)

8

Connect USB cable to AC adapter. Plug into electrical outlet and make sure the cord is not strained or taut.