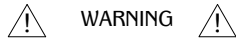


WCS3

PROPRIETARY AND CONFIDENTIAL.
ALL DIMENSIONS HAVE A +/- 1/32" TOLERANCE UNLESS OTHERWISE SPECIFIED. WE DO NOT RECOMMEND DRILLING OR CUTTING ANY HOLES BEFORE RECEIVING A PRODUCT OR A PRODUCT SAMPLE.



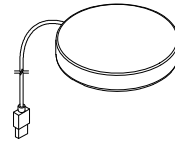
WARNING

- To reduce the risk of electric shock use only indoors.
- If any malfunction occurs, do not attempt to disassemble or repair.
- Avoid placing the charger in a high temperature environment or near fire.
- Allow enough clearance for part operation.
- Do not place metal on the wireless charging area.
- Metal objects, bank cards, digital IC cards should not be placed between the charger and the phone to avoid damage.
- To ensure proper performance, only use the included power adapter with unit.

SPECIFICATIONS

- 3 ft. cord length.
- Wireless output is 10W MAX.
- Power adapter is 1-1/16" X 1-17/32" X 1-11/16".
- Mobile device must be equipped with a wireless charging receiver (wireless charging accessories not included.). Check mobile manufacturer for compatibility.

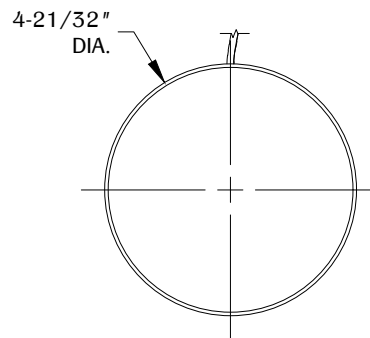
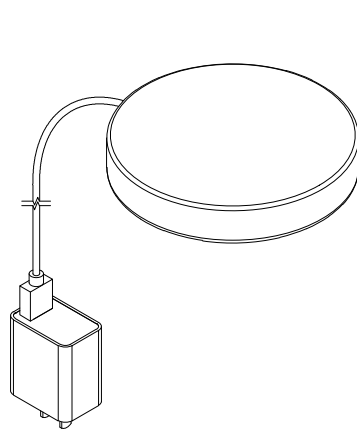
TABLE OF CONTENTS



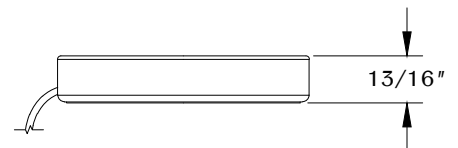
. 1X WCS3



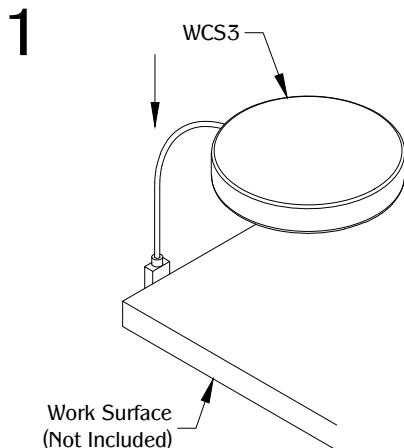
. 1X Power Adapter



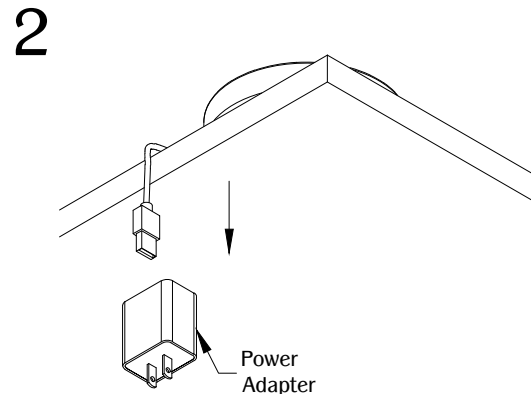
TOP VIEW



FRONT VIEW



Determine the position and location of the WCS3 on the work surface. DO NOT place the unit where the cable is strained or trapped.

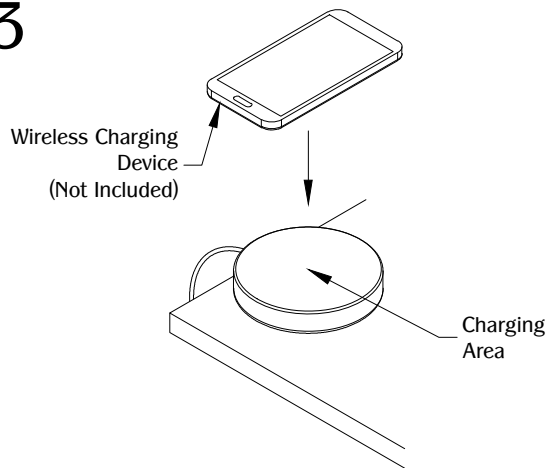


Connect the USB power cord from the WCS3 to the power adapter. Plug the power adapter to a nearby outlet and the unit is ready for use.

WCS3

PROPRIETARY AND CONFIDENTIAL.
ALL DIMENSIONS HAVE A +/- 1/32" TOLERANCE UNLESS OTHERWISE SPECIFIED. WE DO NOT RECOMMEND DRILLING OR CUTTING ANY HOLES BEFORE RECEIVING A PRODUCT OR A PRODUCT SAMPLE.

3



Position the mobile device on the center of the charging area.
The charging icon will activate on the device's screen when properly aligned at the center of the charging area.