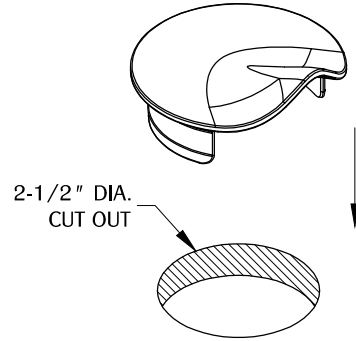


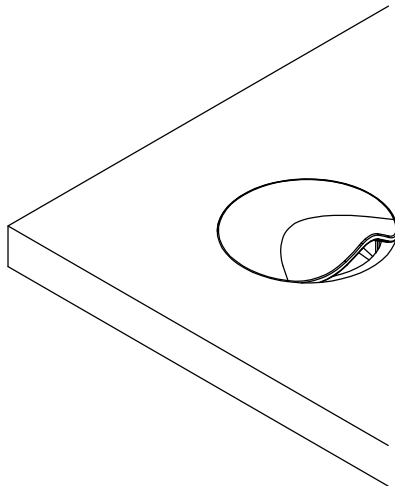
FRONT VIEW

### Option 1: SURFACE MOUNT

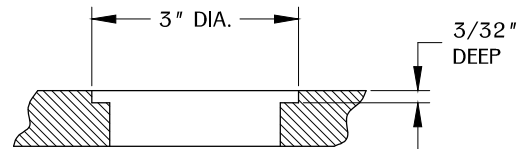


Determine the position and location of the grommet on the work surface. Cut the hole at 2-1/2" DIA. Install Wave grommet in to the cut out.

### Option 2: FLUSH MOUNT



FLUSH MOUNT OPTION SHOWN



Determine the position and location of the grommet on the work surface. Cut the hole at 2-1/2" DIA. Route a 3" DIA. hole at 3/32" deep. Install Wave grommet in to the cut out.