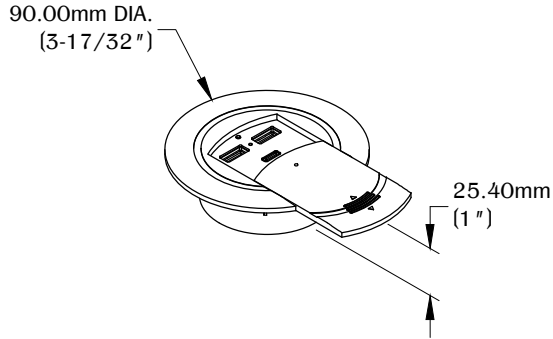
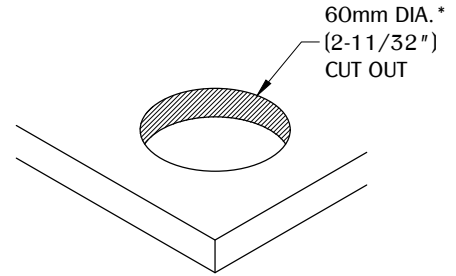


NOTE:

- Power adapter and power cable total length is 9ft.
- Power adapter is 2-3/4" X 4-1/2" X 3/4".
- USB-A and USB-C for charging use only.
- USB-A output is 18W.
- USB-C output is 60W.
- * 60mm drill bit required. Not included.

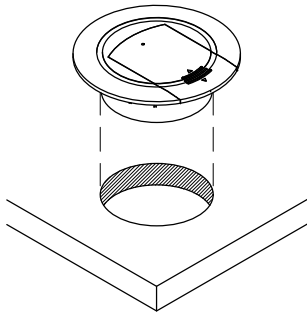


1



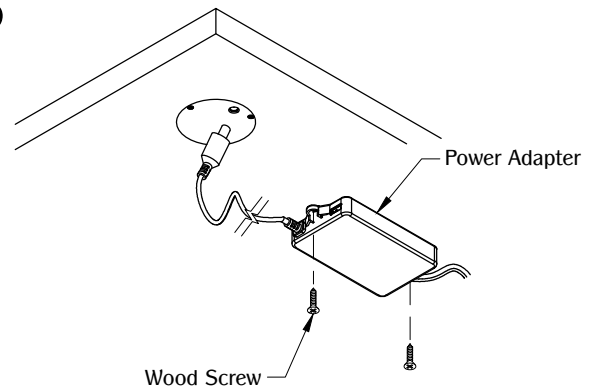
Make a cut out on the desired surface. (Note: We do not recommend cutting before receiving part or part sample.)

2



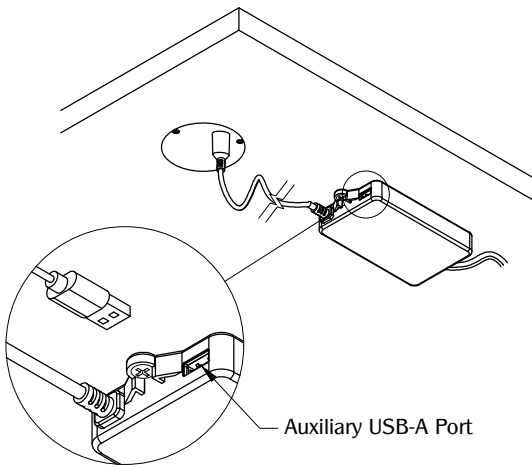
Install UCS1 into the cut out and make sure it is fully leveled onto the worksurface. UCS1 will pressure fit securely in place.

3



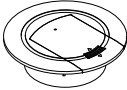
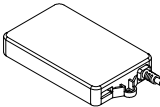
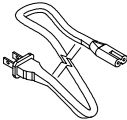
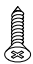
Secure power adapter under the worksurface with (2) screws. Connect adapter to the UCS1.

4



Use auxiliary USB-A port connection located on power adapter for any other powered USB connections you may need.

TABLE OF CONTENTS:

	1X UCS1
	1X Power Adapter
	1X Power Cable
	2X Wood Screw