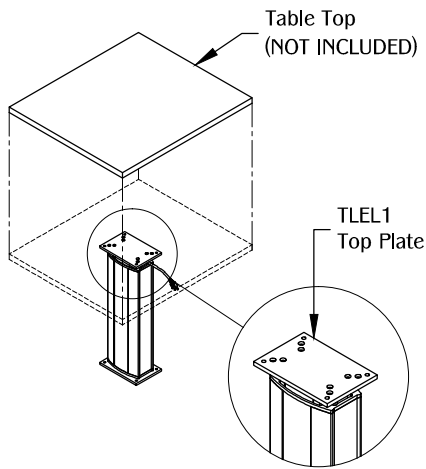


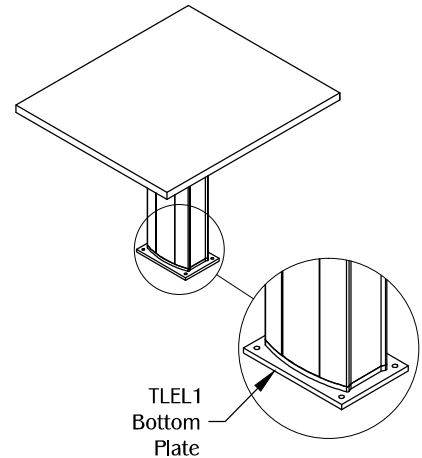
1



Weight Capacity: 250 lbs.

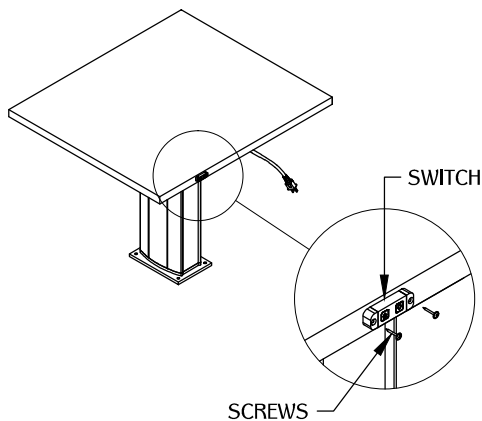
Determine the position and location of the leg under the work surface. Install TLEL1 Leg by using the mounting holes on the top plate. Mounting hardware is Not Included. (Note: Work surface must be installed centered to the TLEL1 top plate for stability and safety.)

2



Secure the TLEL1 leg to the floor by using mounting hardware through the mounting holes of the bottom plate. Mounting Hardware is Not Included.

3

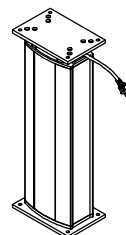


Mount TLEL1 Switch at the desired location. Plug the unit into nearby outlet. (Note: Please see TLEL1 Switch Operating Instructions for more detailed information.)

WARNING:

PLEASE check if the TLEL1 is secure and stable before operating the unit.

TABLE OF CONTENTS:



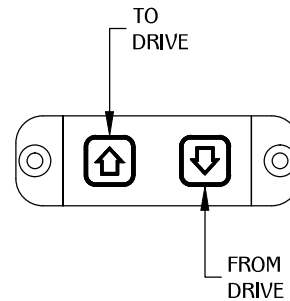
.....1 X TLEL1 LEG



.....1 X SWITCH

Operating TLEL1 Switch

1. Press 'To' drive button to move the legs up.
2. Press 'From' drive button to move the legs down.



Note: Hold down the buttons until the desired height has been reached.

TROUBLE SHOOTING TLEL1

If the leg is not operating, PLEASE follow these steps to reset TLEL1:

1. Press the bottom button until leg is down.
2. Press and hold the bottom button for 10 sec.
3. Unplug the unit power from the electrical outlet.
4. Plug the power cord back into an electrical outlet and test the unit. If problem persists, repeat steps.

CAUTION: IF LEG IS LEFT FULLY EXTENDED (ALL THE WAY UP) AND THE CONTROL BOX IS UNPLUGGED, PLUGGING IN AGAIN AND PRESSING UP BUTTON MAY DAMAGE CONTROL BOX.