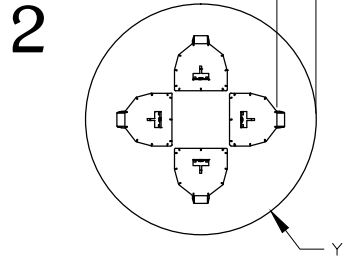


	(A)
18"	N/A
29"	1-5/8"
36"	3-13/16"
42"	5-11/16"

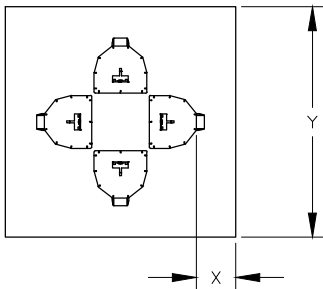
Determine the orientation of the TL71 underneath the work surface. (Note: Include leg projection "A" in your decision.)



	(X) MAX.	(Y) DIA. MIN.
18"	6"	40"
29"	8"	40"
36"	10"	46"
42"	12"	48"

Round table must meet requirements. (Note: Maximum table top is 60" diameter.)

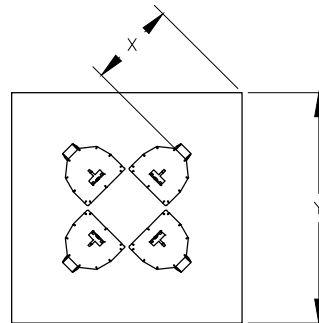
### 3



	(X) MAX.	(Y) SQ. MIN.
18"	6"	40"
29"	8"	40"
36"	10"	46"
42"	12"	48"

Square table must meet requirements. (Note: Maximum table top is 60" sq.)

### 4






	(X) MAX.	(Y) SQ. MIN.
18"	5"	32"
29"	7"	32"
36"	9"	36"
42"	11"	38"

Diagonal orientation must meet requirements. (Note: Maximum table top is 60" sq.)

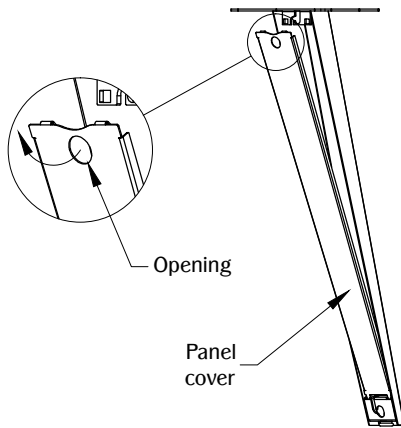
### ⚠ WARNING ⚠

- Weight Capacity is 200 lbs max.
- Do NOT exceed maximum load.
- Do NOT sit or stand on table.
- Remove all objects from the table before moving.
- Do NOT lean on the edge of the table to prevent it from tipping over.

#### TABLE OF CONTENTS:

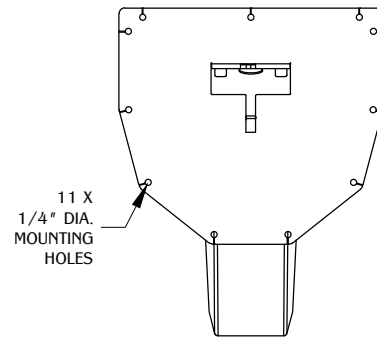
	..... 1 X TL71
	..... 1 X Cover panel
	..... 4 X Felt pads

5



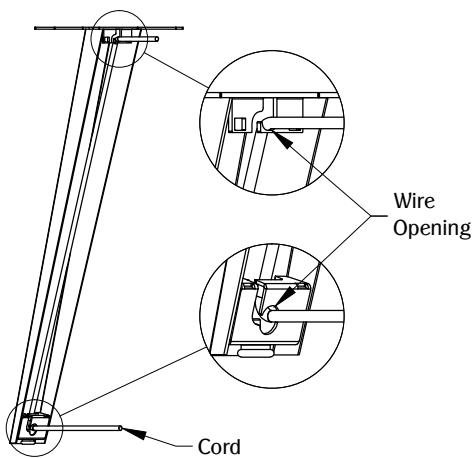
Remove the cover panel from the back of the leg. Lift and pull out the cover panel from the round opening on the top.

6



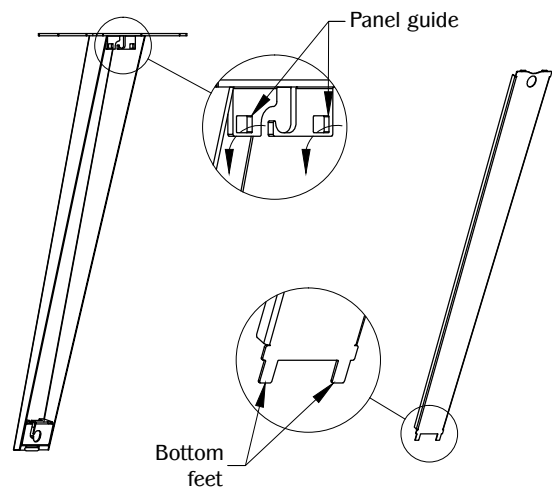
Once the orientation and table top is determined, install the leg under the work surface. (Note: Mounting hardware is not included. Use the appropriate mounting hardware for the table top.)

7



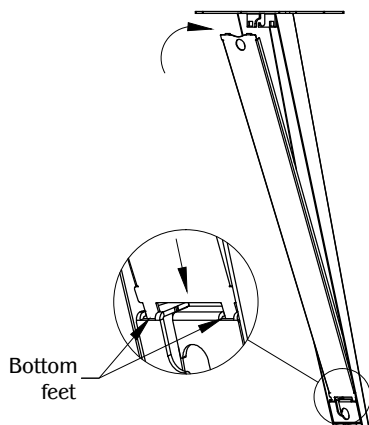
Feed the cord from the top. Hook the cord to the wire opening. Guide the cord all the way through the bottom wire opening.

8



Apply the felt pad to eliminate any space between where the cover and the leg meet. Install the felt pads on top of the leg by the panel guide and the bottom feet of the cover panel.

9



Place the cover panel by installing the feet to the bottom of the leg. Then hook the top panel cover to the panel guide. Make sure it is secure and level.