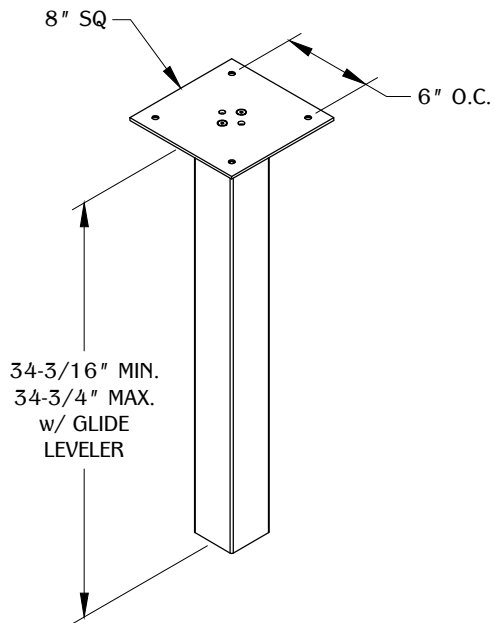


PART #

TL69B

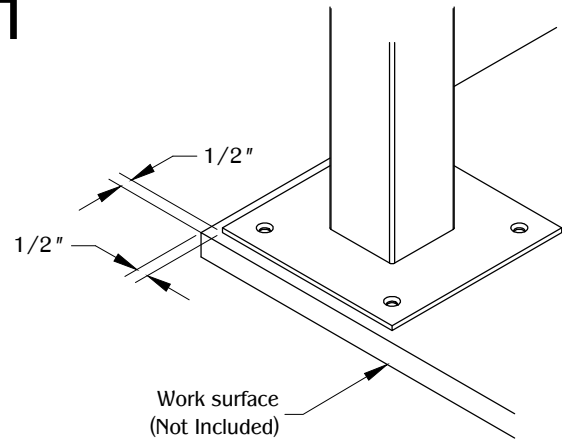
310.318.2491 • 800.523.1269 • www.mockett.com



NOTE:

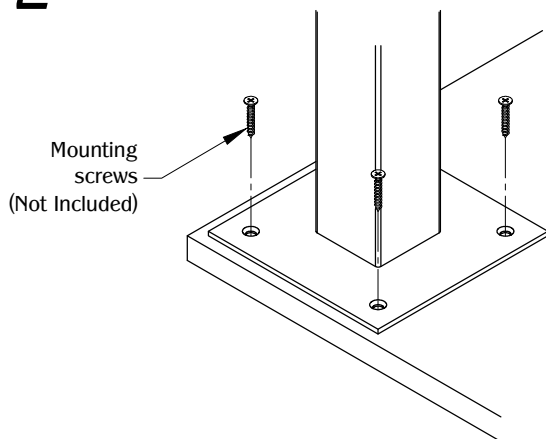
- Weight capacity is 300 lbs per leg.

1



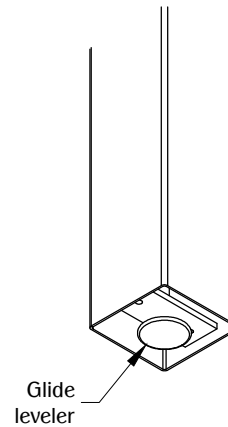
Determine the position and location of the part on under the work surface. Allow 1/2" clearance from the edge of the work surface.

2



Secure the part with (4) mounting screws.

3



Adjust the glide leveler as needed.