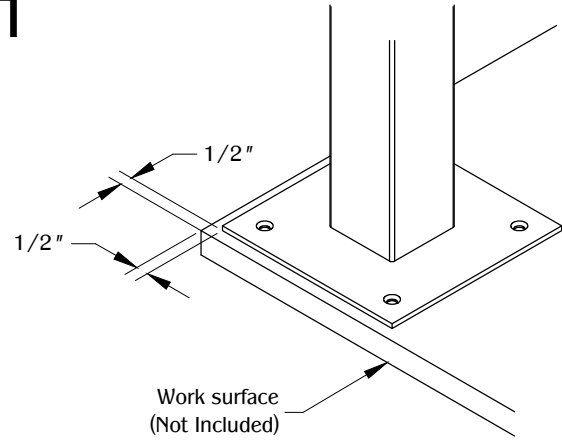


NOTE:

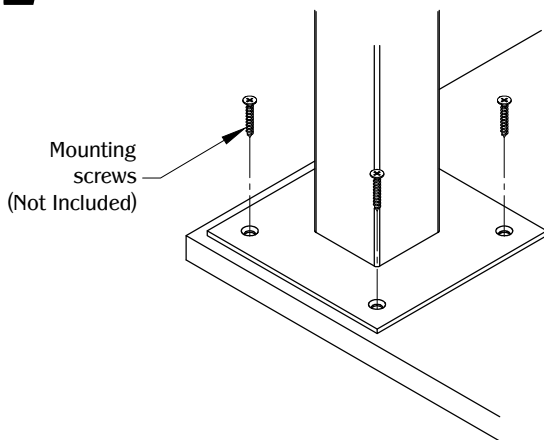
- Weight capacity is 300 lbs per leg.

1



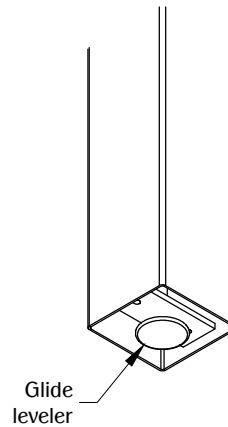
Determine the position and location of the part on under the work surface. Allow 1/2" clearance from the edge of the work surface.

2



Secure the part with (4) mounting screws.

3



Adjust the glide leveler as needed.