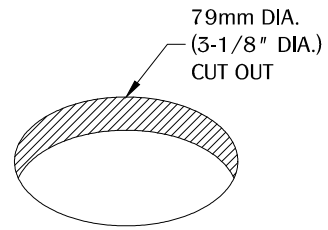


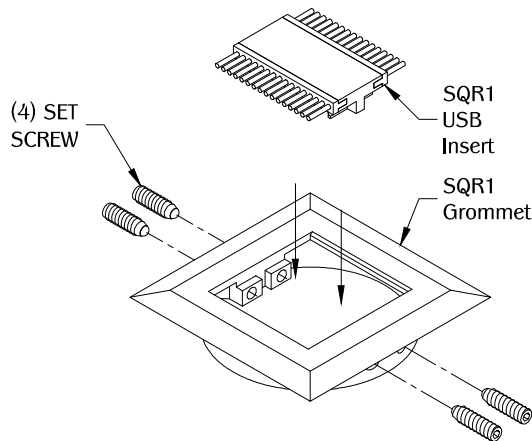
1



NOTE: 80mm DIA. (3-5/32" DIA.) CUT OUT by CNC.

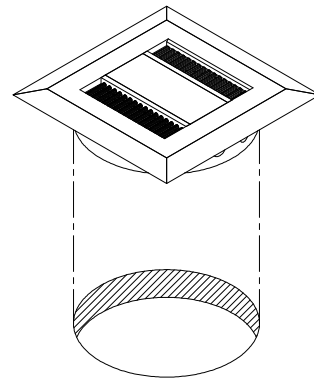
Make a cut out in the desired surface.

2




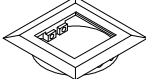

Place SQR1 insert into the SQR1 grommet. Secure using (4) set screw with a 2.5mm Allen wrench. (Note: Allen wrench NOT INCLUDED.)

3



Install SQR1 into the cut out and be sure it is fully leveled onto work surface.

TABLE OF CONTENTS:

1 X SQR1 Insert
1 X SQR1 Grommet
4 X Set screw