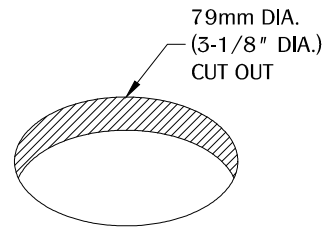


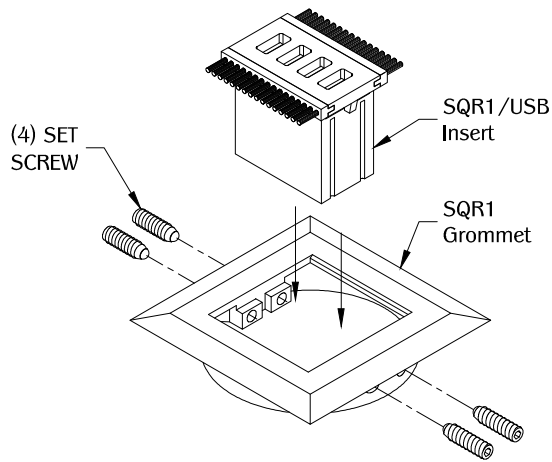
1



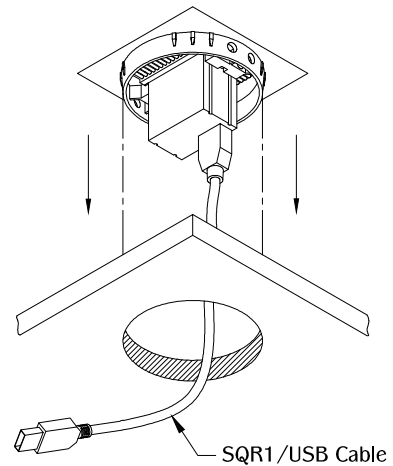
NOTE: 80mm DIA. (3-5/32\"/>

Make a cut out in the desired surface.

2



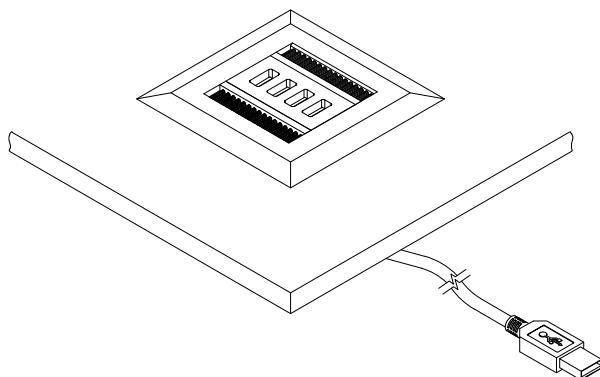
3



Place SQR1/USB insert into the SQR1 grommet. Secure using (4) set screw with a 2.5mm Allen wrench. (Note: Allen wrench NOT INCLUDED.)

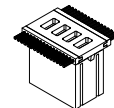
Plug-in USB cable under the SQR1/USB insert. Guide the cable into the cut out. Place SQR1/USB into the cut out and be sure it is fully leveled onto work surface.

4



Plug-in USB cable to a USB compatible port.

TABLE OF CONTENTS:



.....1 X SQR1/USB Insert



.....1 X 5' USB Cable