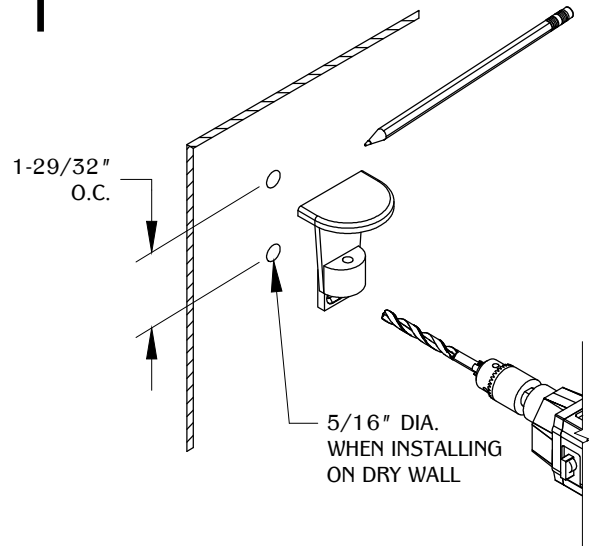
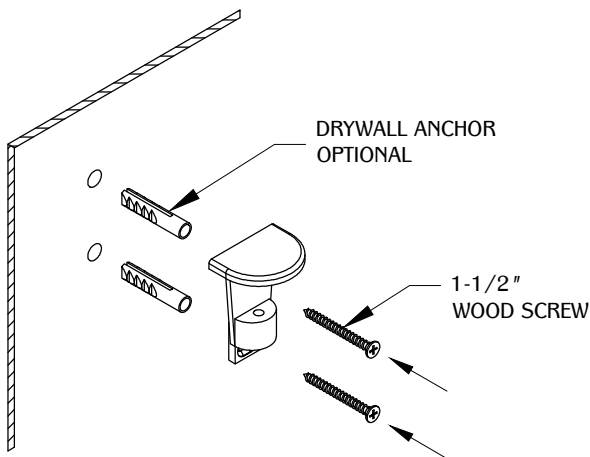


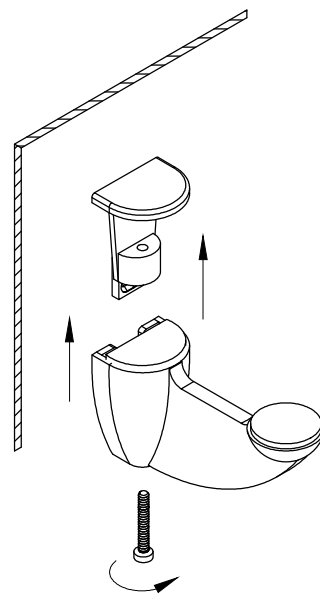
1



2

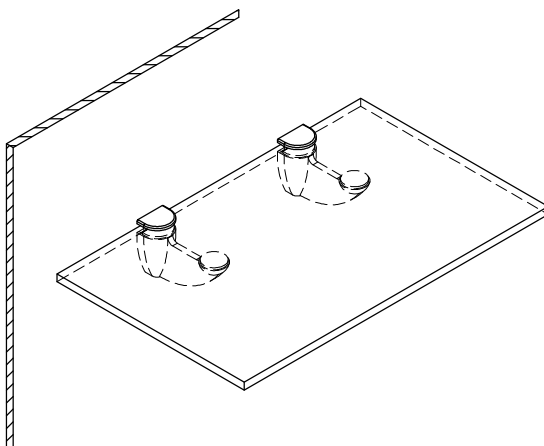


3



NOTE: Recommend mounting into wall studs. 30 lbs. per bracket when installed into stud, 15 lbs for drywall.

4



NOTE: 8" maximum shelf depth. Can support wood and glass shelves.

TABLE OF CONTENTS:

	.....	1x SH8
	.....	1x SCREW
	.....	2x WOOD SCREW
	.....	2x PLASTIC ANCHOR
	.....	1x HEX KEY
	...	2x HALF-CIRCLE SHELF PAD
	.....	1x CIRCLE SHELF PAD