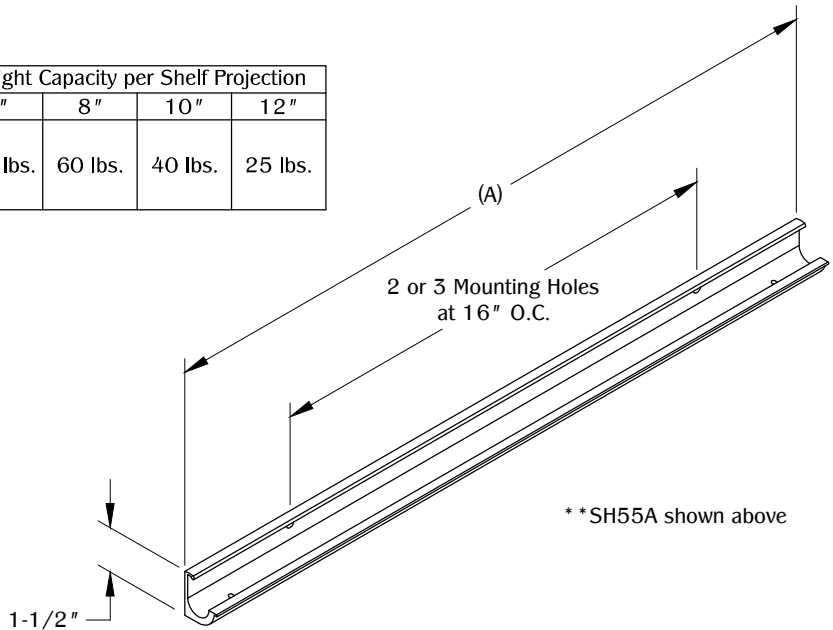


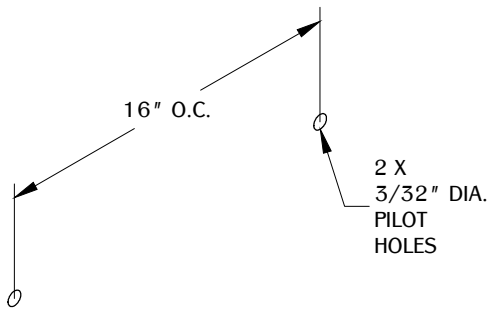
	(A) Length	# of Mounting Holes	Weight Capacity per Shelf Projection			
			6"	8"	10"	12"
SH55A	24"	2	100 lbs.	60 lbs.	40 lbs.	25 lbs.
SH55B	36"	3				
SH55C	48"	3				

**NOTES:**

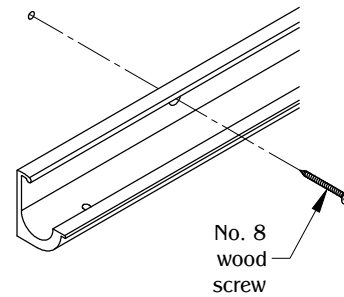
- **MUST** install into studs.
- 3/4" thick **HARD WOOD SHELF ONLY**.
- 12" MAX. shelf projection.
- MAX. shelf length uniform to part length.
- Do not place heavy objects at the front edge of the shelf.



1



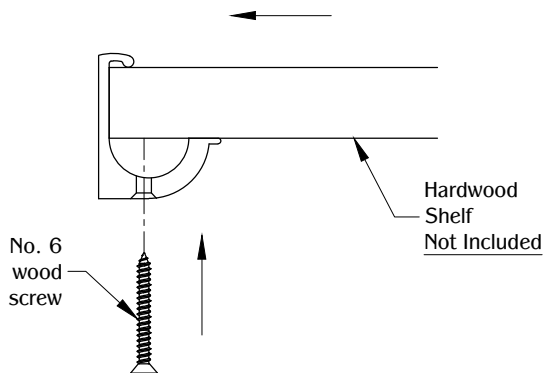
2



Determine the position and location of the part in the work surface. Mark the mounting positions and drill the pilot holes for the mounting hardware. (Note: Must install into studs.)

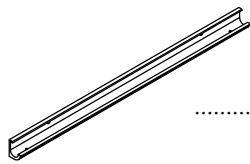


Use (2 or 3) screws to install the part in to the work surface. Make sure the part is fully level on the work surface.

3



Install the 3/4" thick shelf. Use (2) screws to secure the shelf at the bottom of the SH55.

**TABLE OF CONTENTS:**

	.....1 X SH55
	.....2 X 1-1/4" No. 6 Wood Screws
	.....2 or 3 X 2" No. 8 Wood Screws