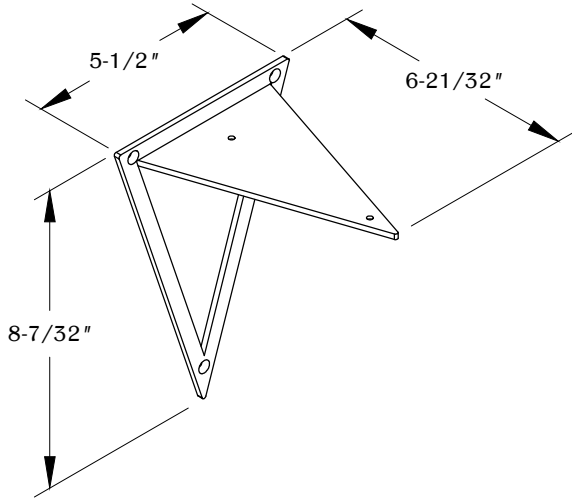


PART #

SH54B

310.318.2491 • 800.523.1269 • www.mockett.com



WEIGHT CAPACITY 40lbs. PER PAIR.

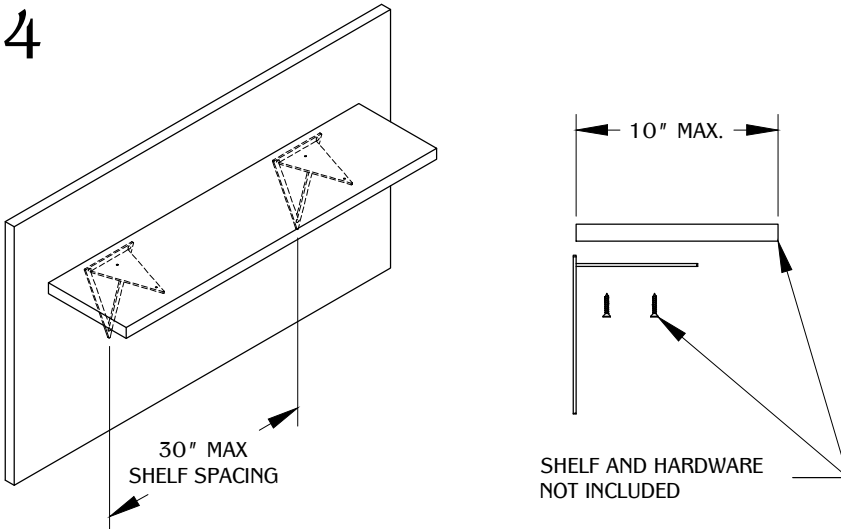
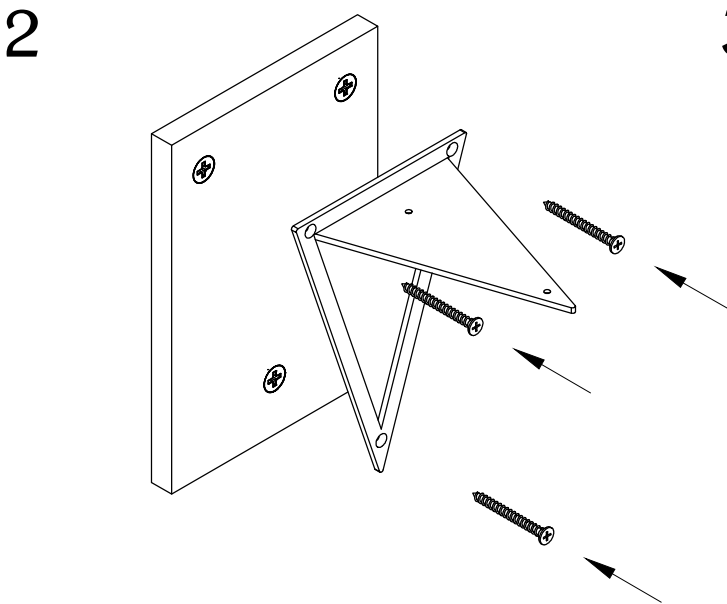
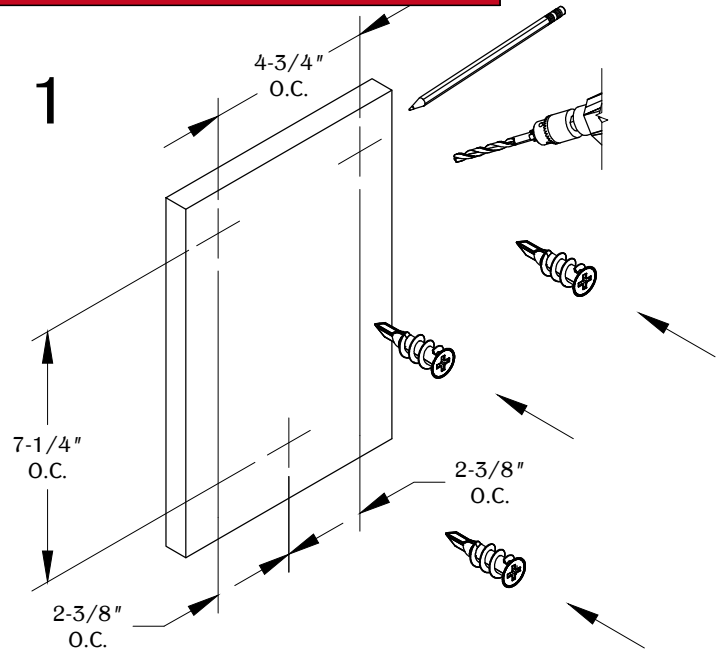
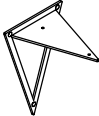




TABLE OF CONTENTS:

 1x SH54B
 3x #6 MOUNT SCREW
 3x HK-ANCHOR