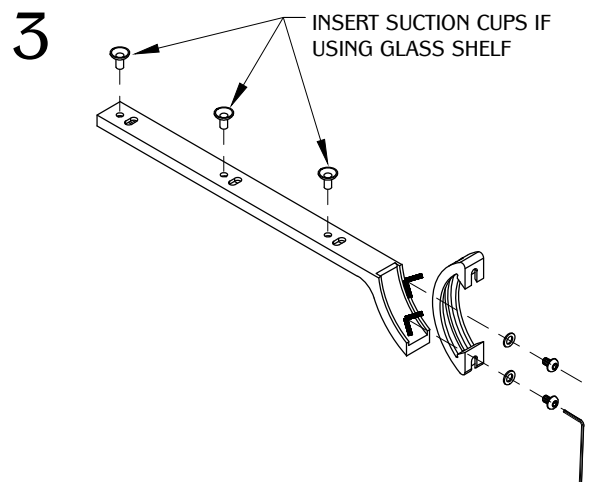
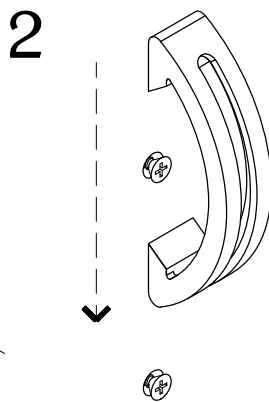
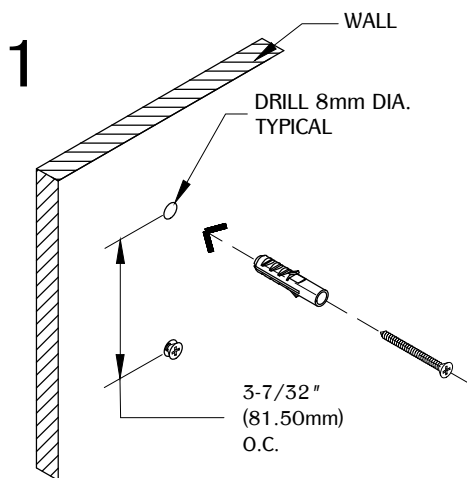
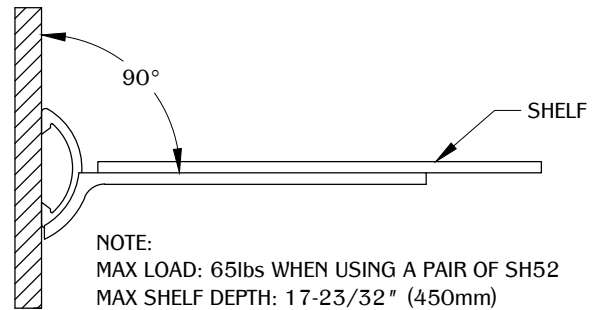
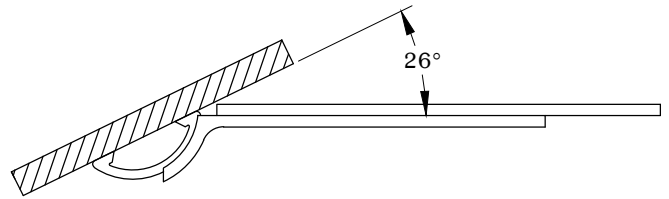
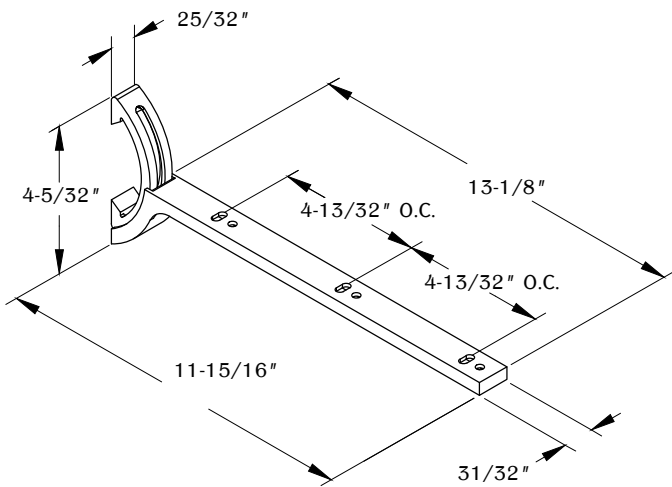
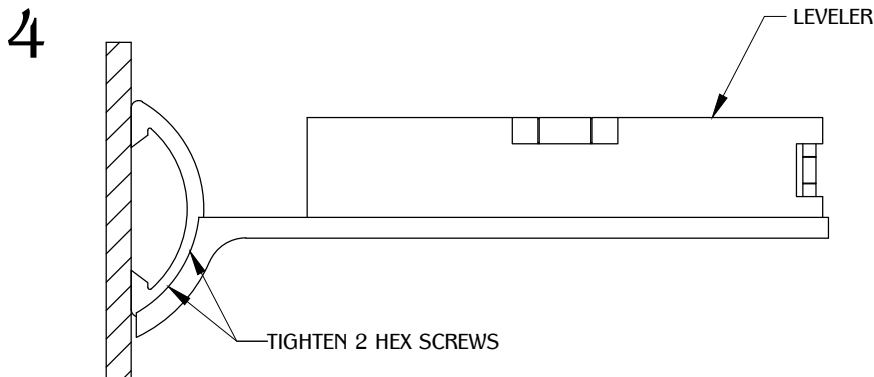


INSTALLATION INSTRUCTIONS



Begin tightening screws into anchors. Leave 1/8" exposed to insert bracket over screws. If bracket is still loose, slide bracket out and slightly tighten screws then slide bracket in. Repeat as necessary.



Adjust SH52 until leveled. Fully tighten screws with hex key provided.

TABLE OF CONTENTS:

	1x SH52
	3x SUCTION CUP
	1x 4mm HEX KEY
	2x HEX SCREW
	2x WASHER
	2x WOOD SCREWS
	2x WALL ANCHORS