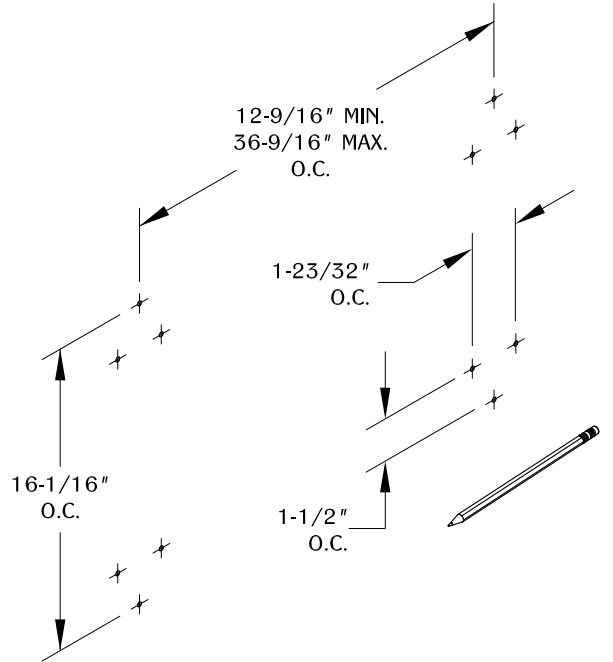
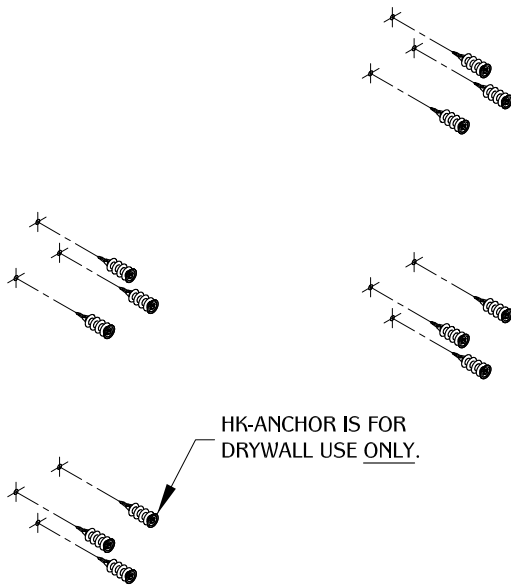


1

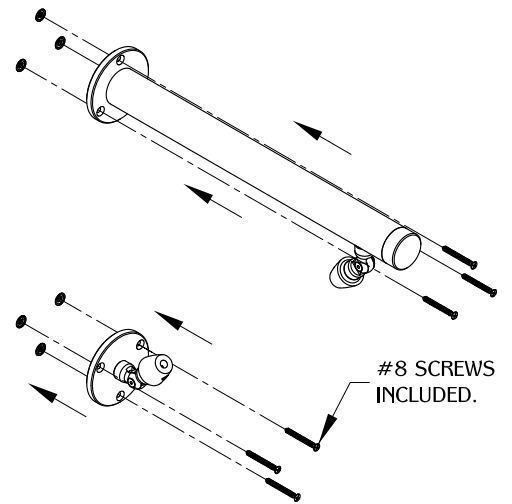


2



3






REPEAT STEP FOR OTHER SHELF BRACKET



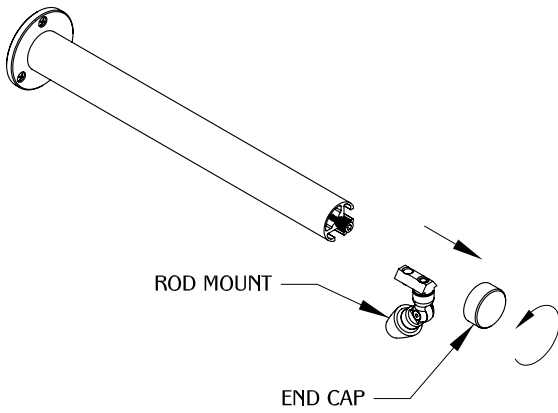
**NOTE:**

- All dimensions have a + / - 1/16" tolerance. We do not recommend drilling or cutting any holes before receiving a product or a product sample.
- Hardwood or tempered glass shelves only.
- 3/8" shelf thickness.
- 16" shelf depth.
- 12" MIN. to 36" MAX. shelf length.
- 50 lbs. weight capacity.

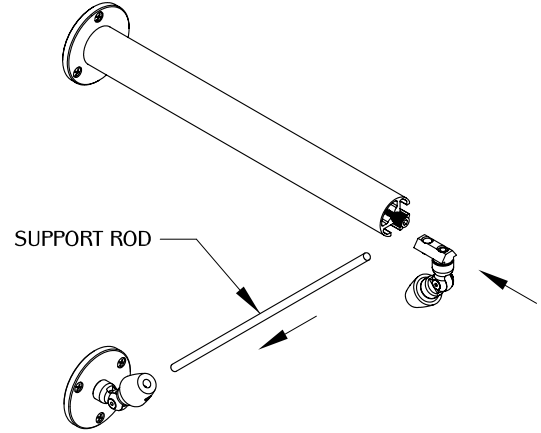
TABLE OF CONTENTS:

	..... 2X SH39B (RIGHT AND LEFT)
	..... 2X WALL MOUNT SUPPORTS
	..... 2X SUPPORT ROD
	..... 12X HK-ANCHOR
	..... 12X 1-1/2" No.8 OVAL HEAD SCREWS

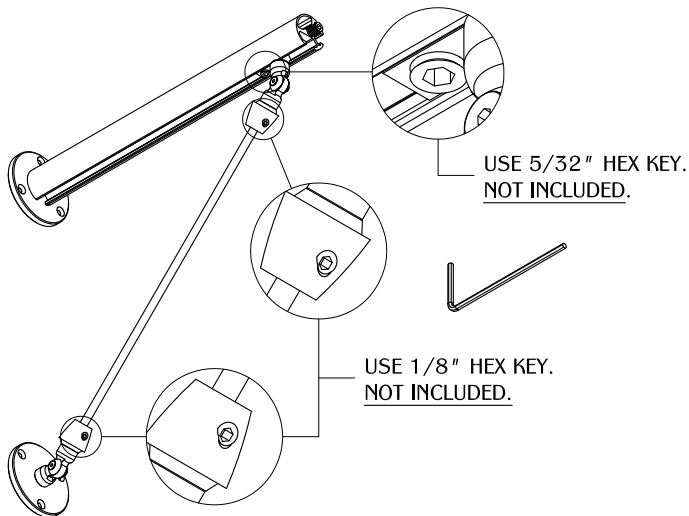
4 REPEAT STEP FOR OTHER SHELF BRACKET



5 REPEAT STEP FOR OTHER SHELF BRACKET

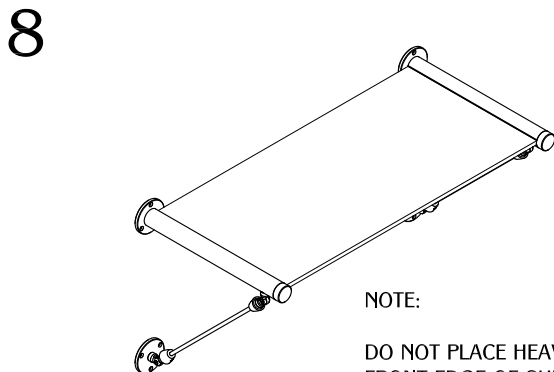


6 REPEAT STEP FOR OTHER SHELF BRACKET



7

Diagram 7 shows a perspective view of the shelf bracket assembly. A '3/8" THICK SHELF' is shown being inserted into the brackets. Arrows indicate the direction of insertion. The text '3/8" THICK SHELF NOT INCLUDED.' is written below the shelf.



NOTE:  
DO NOT PLACE HEAVY OBJECTS NEAR  
FRONT EDGE OF SHELF.