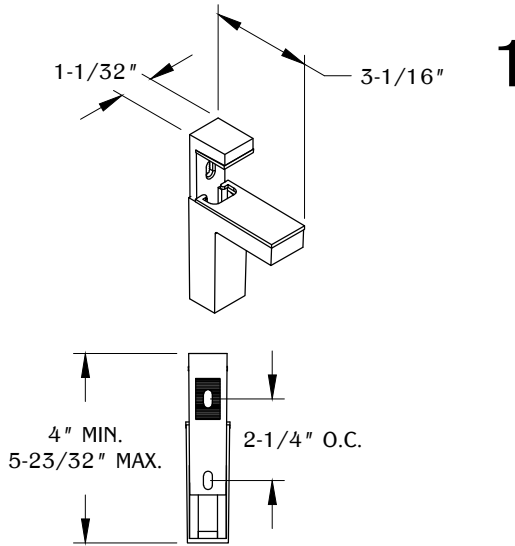


NOTE:

- Weight capacity is 40 lbs. MAX. per bracket installed into the stud or concrete.
- Weight capacity is 15 lbs. MAX. per bracket installed into drywall.
- Shelf projection is 8" MAX.
- Maximum bracket spacing is 24".
- 1/4" MIN. to 1-7/8" MAX. Panel thickness.

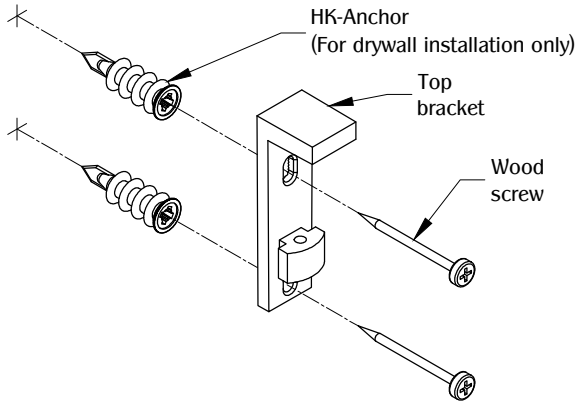


REAR VIEW

Note: Recommended to mount into wall studs.

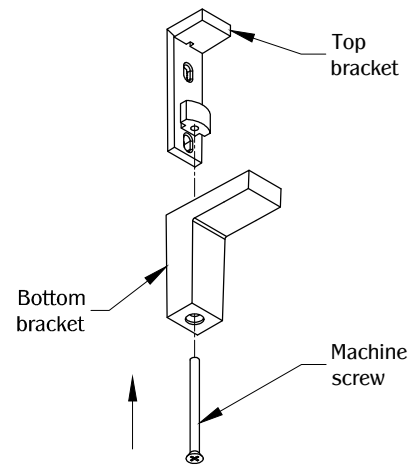
Determine the position and location of the part in the work surface.

2



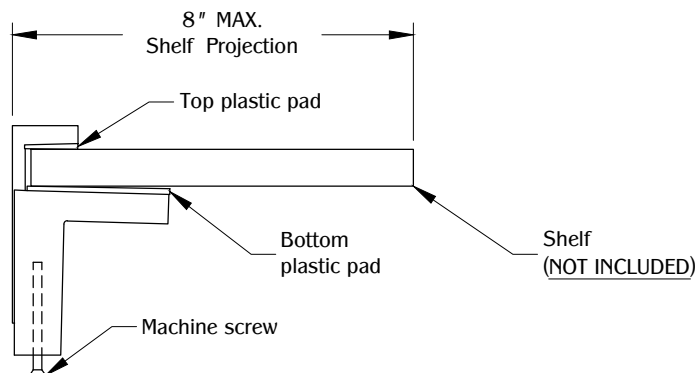
Install the top bracket of the SH37. Make sure the part is leveled and aligned straight. Then, install the part with the (2) mounting hardware. Repeat Step #1 for the second shelf support. (Note: Maximum bracket spacing is 24".)

3



Align the bottom bracket to the top bracket and secure the part with the machine screw.

4



Place both top and bottom plastic pads before installing the shelf, then install and secure the shelf by tightening the machine screw.

TABLE OF CONTENTS:

	1X SH37
	1X Top plastic pad
	1X Bottom plastic pad
	1X 6mm - 1.0 thread Machine screw
	2X HK-Anchor