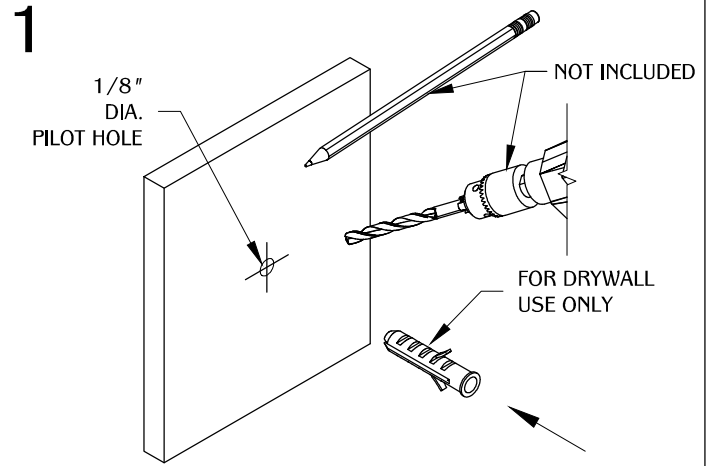


WEIGHT CAPACITY: 10lbs when mounted into stud.



NOTE: Recommended to install into studs.

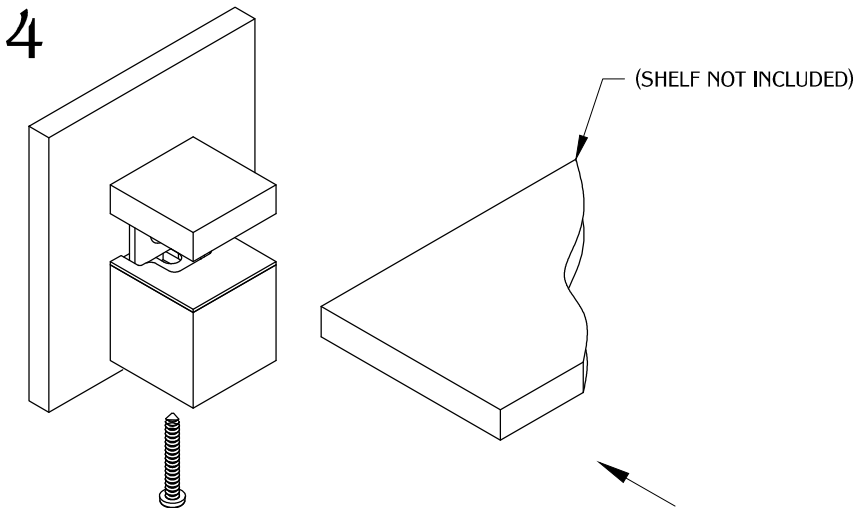
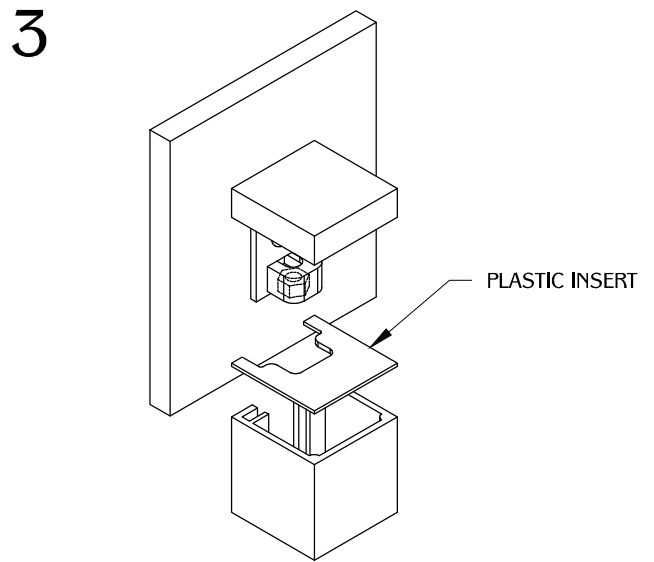
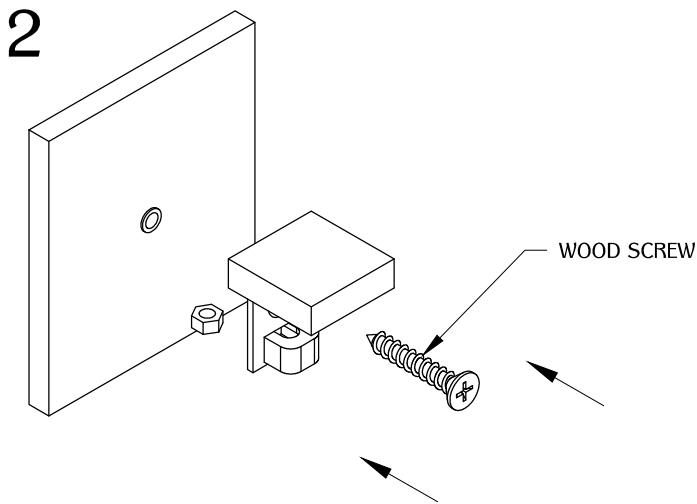
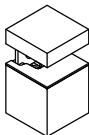







TABLE OF CONTENTS:

 1x SH36A
 1x 1-3/8" DRYWALL SCREW
 1x DRYWALL ANCHOR
 1x 1-1/8" SCREW
 1x NUT
 1x PLASTIC INSERT