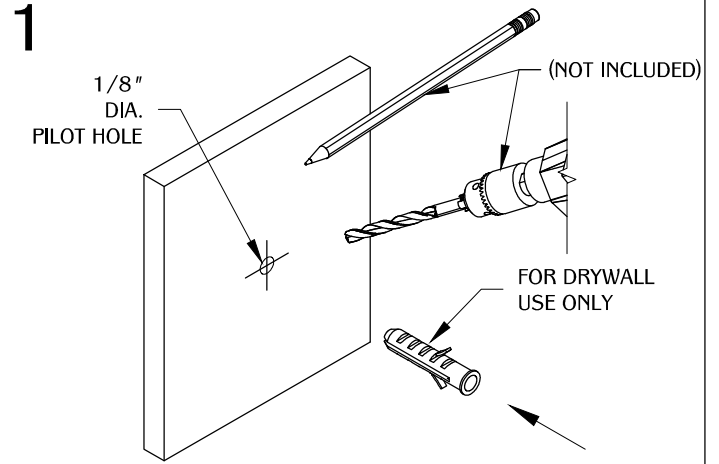


WEIGHT CAPACITY: 12lbs when mounted into stud.



NOTE: Recommended to install into studs.

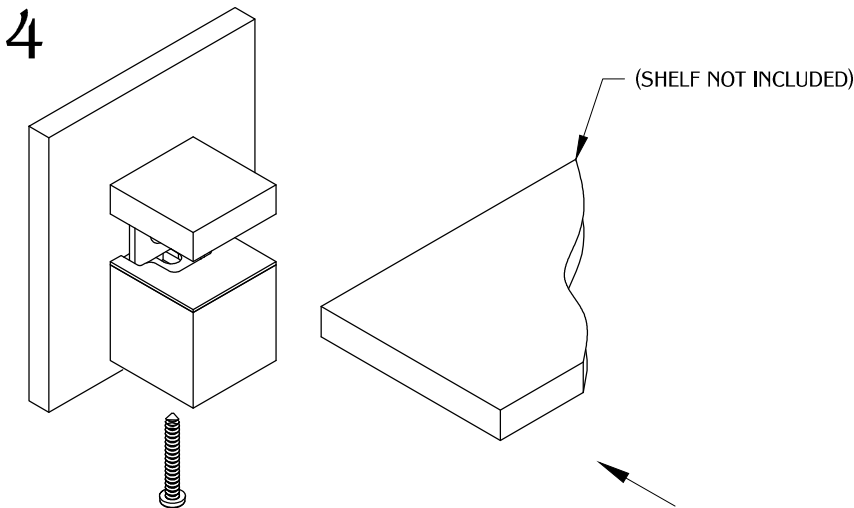
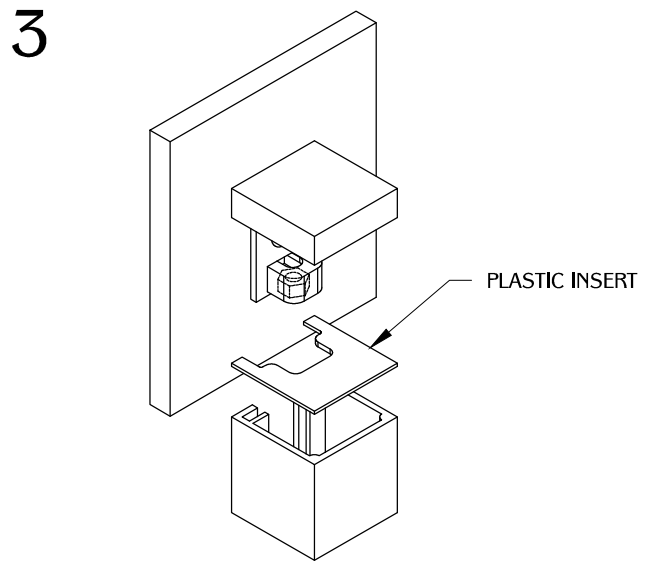
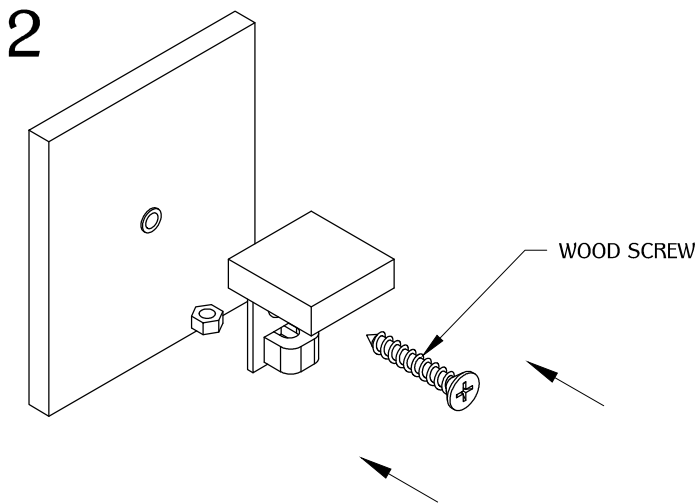
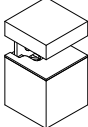



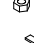



TABLE OF CONTENTS:

	..... 1x SH36
	..... 1x 1-3/8" DRYWALL SCREW
	..... 1x DRYWALL ANCHOR
	..... 1x 1-1/8" SCREW
	..... 1x NUT
	..... 1x PLASTIC INSERT