

1. Install Track A (SHTRC) or B (SHTRM) on the wall. Make sure that the track is aligned vertically. Track A can be flush mounted by cutting the 1/2" drywall to 11/16" x 3' x 6' long, SH15 must be in place.  
(NOTE: Make sure to mount on studs for better support.)
2. Slide SH15 bracket at a 45° angle and when the desired height is reached, push down until bracket is at horizontal level. (NOTE: Brackets must be installed a minimum of 6" from the top or the bottom of the track.)
3. \*\*SH15/HD is an optional bracket to add more stability.
  - 3.1 Slide SH15/HD on top of shelf material.
  - 3.2 Secure placement by tightening set screw.

PART (LENGTH)	USABLE LENGTH	SHTRC LOAD CAPACITY	WITH SH15/HD	SHTRM LOAD CAPACITY	WITH SH15/HD
SH15A (7-11/16")	7-1/4"	70 lbs. PER PAIR	110 lbs. PER PAIR	110 lbs. PER PAIR	130 lbs. PER PAIR
SH15B (9-11/16")	9-1/4"				
SH15C (11-11/16")	11-1/4"				
SH15D (15-11/16")	15-1/4"				
SH15E (23")	22-1/2"				
DEPTH ON SH15 2", NOT 1-1/4"					

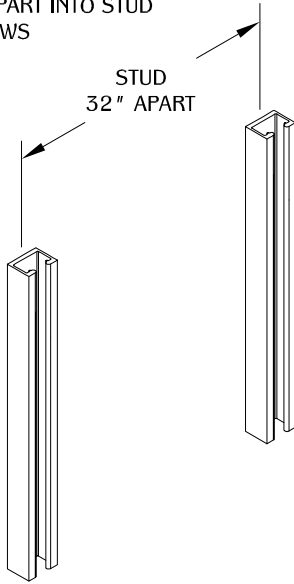
WEIGHT CAPACITY IS VALID FOR EVENLY DISTRIBUTED STATIC LOAD, INSTALLED INTO STUDS OR CONCRETE ONLY.

PART #

**SHTRC**

310.318.2491 • 800.523.1269 • [www.mockett.com](http://www.mockett.com)

1. SPACE 32" APART INTO STUD
2. INSTALL SCREWS



105 lbs. MAX. 1 BRACKET  
DIVIDED INTO 3 SHELVES

WEIGHT CAPACITY: 35 lbs. PER BRACKET.  
WEIGHT CAPACITY IS VALID FOR EVENLY  
DISTRIBUTED STATIC LOAD, INSTALLED INTO  
STUDS OR CONCRETE ONLY.  
WEIGHT OF SHELF TO BE CONSIDERED AS  
PART OF OVERALL WEIGHT CAPACITY.

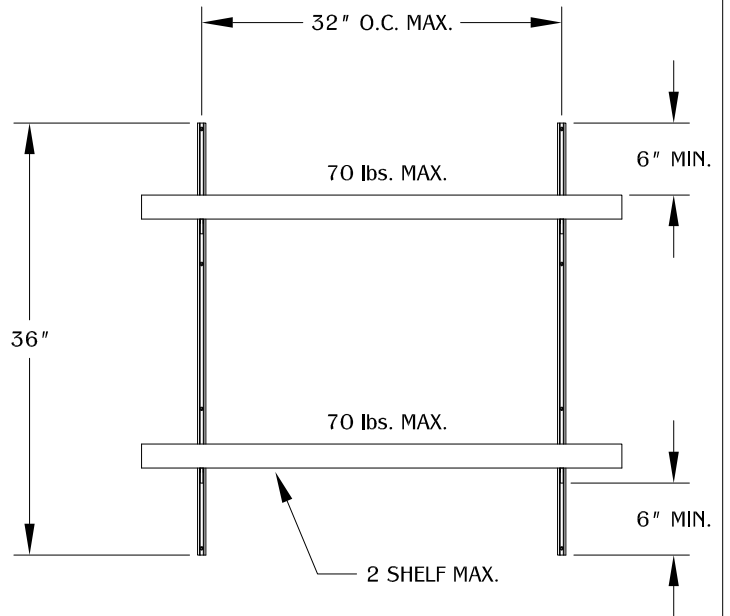
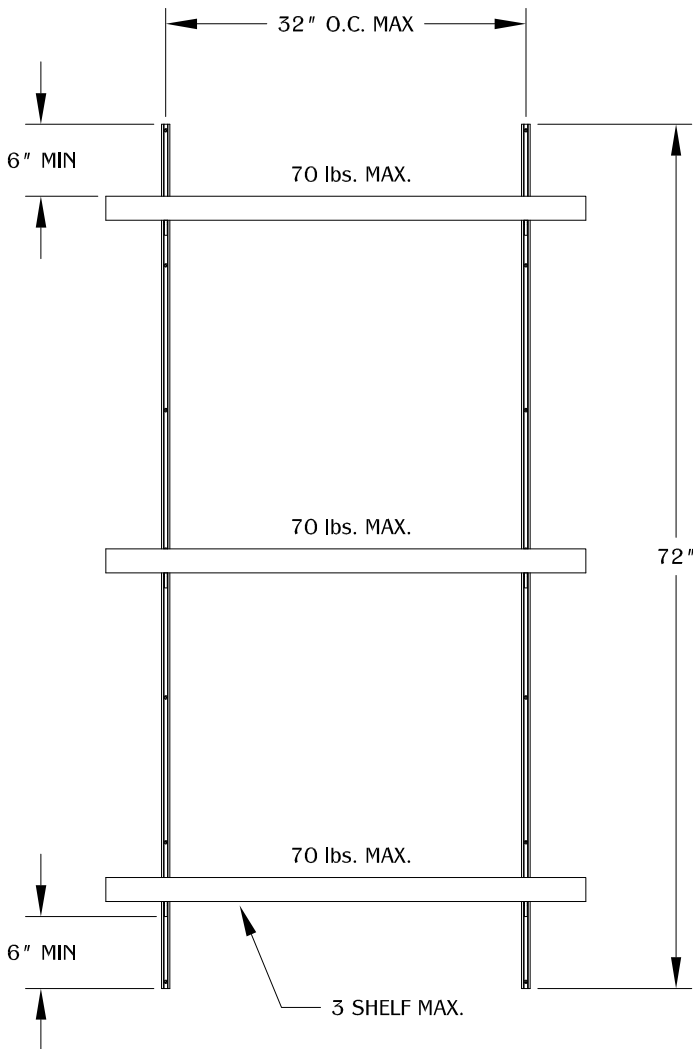
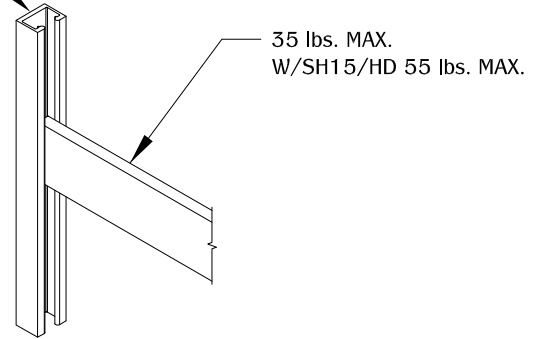




TABLE OF CONTENTS:	SHTRC3-94
	.....1 X 36" SHTRC3-94
	.....4 X 1-1/2" SELF TAPPING SCREWS PER 3' TRACK

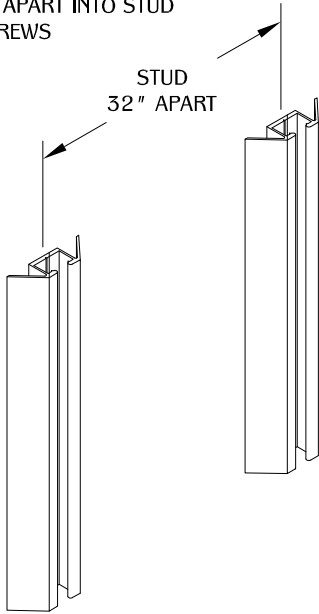
TABLE OF CONTENTS:	SHTRC6-94
	.....1 X 72" SHTRC6-94
	.....7 X 1-1/2" SELF TAPPING SCREWS PER 6' TRACK

PART #

**SHTRM**

310.318.2491 • 800.523.1269 • www.mockett.com

1. SPACE 32" APART INTO STUD
2. INSTALL SCREWS



165 lbs. MAX. 1 BRACKET  
DIVIDED INTO 3 SHELVES

WEIGHT CAPACITY: 55 lbs. PER BRACKET.  
WEIGHT CAPACITY IS VALID FOR EVENLY  
DISTRIBUTED STATIC LOAD, INSTALLED INTO  
STUDS OR CONCRETE ONLY. WEIGHT OF  
SHELF TO BE CONSIDERED AS PART OF  
OVERALL WEIGHT CAPACITY

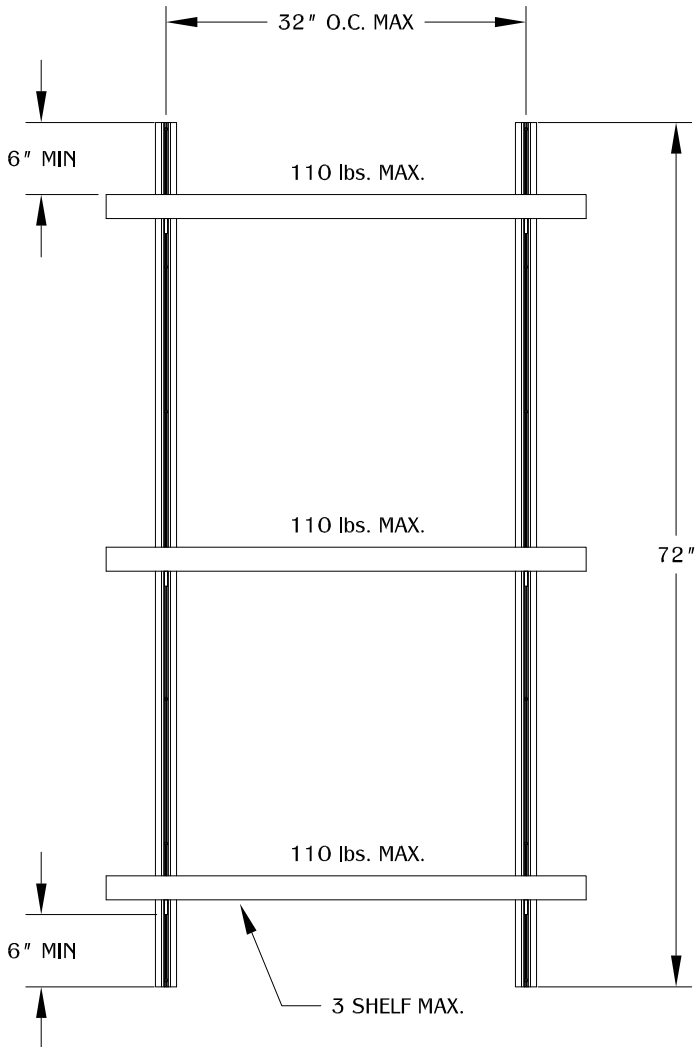
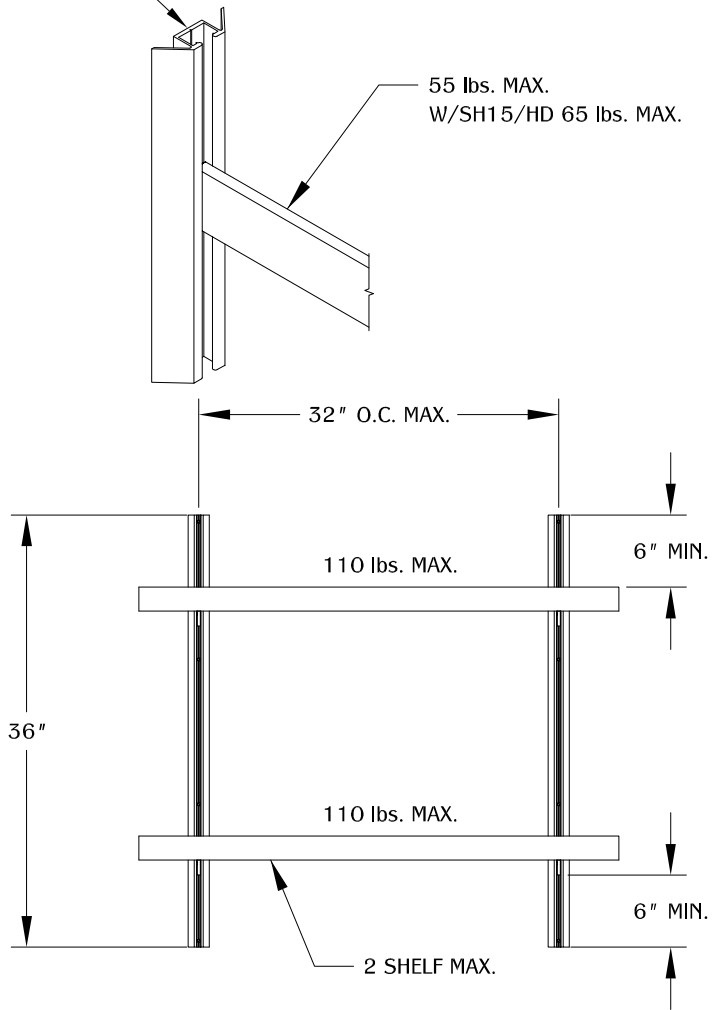


TABLE OF CONTENTS: SHTRM3-94

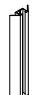

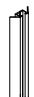
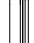
	.....1 X 36"	SHTRM3-94
	.....4 X 1-1/2"	SELF TAPPING SCREWS PER 3' TRACK

TABLE OF CONTENTS: SHTRM6-94

	.....1 X 72"	SHTRM6-94
	.....7 X 1-1/2"	SELF TAPPING SCREWS PER 6' TRACK